



Spare parts catalogue
XXF 2.0 FACTORY MY22

Index

0 - Models (XXF 2.0 FACTORY MY22)	3
1 - CHASSIS / HANDLEBAR / SADDLE	5
2 - Rear swing fork (XXF 2.0 FACTORY MY22)	7
3 - Shock-absorbers (XXF 2.0 FACTORY MY22)	9
4 - Motor / Battery / Dash board (XXF 2.0 FACTORY MY22)	11
5 - Bottom bracket group (XXF 2.0 FACTORY MY22)	13
6 - Wheels (XXF 2.0 FACTORY MY22)	15
7 - Gear swift (XXF 2.0 FACTORY MY22)	17
8 - Brakes (XXF 2.0 FACTORY MY22)	19
9 - Accessories (XXF 2.0 FACTORY MY22)	21



XXF 2.0 FACTORY

Sage



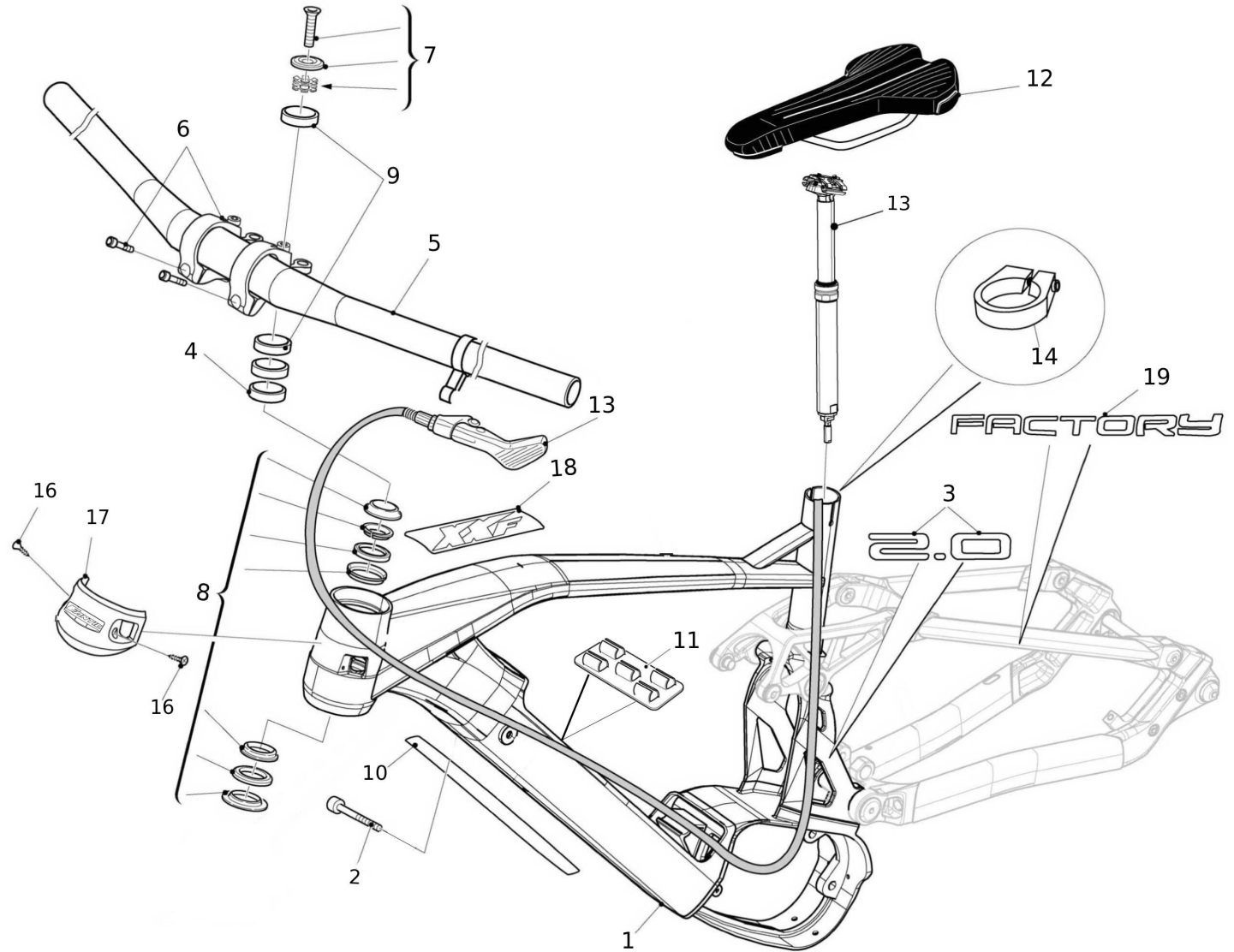
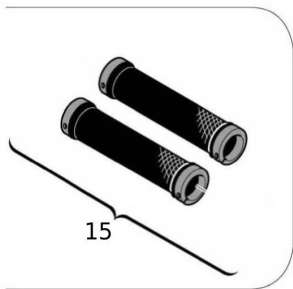
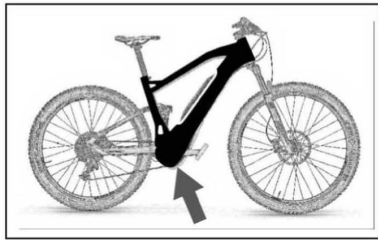
XXF 2.0 FACTORY

White

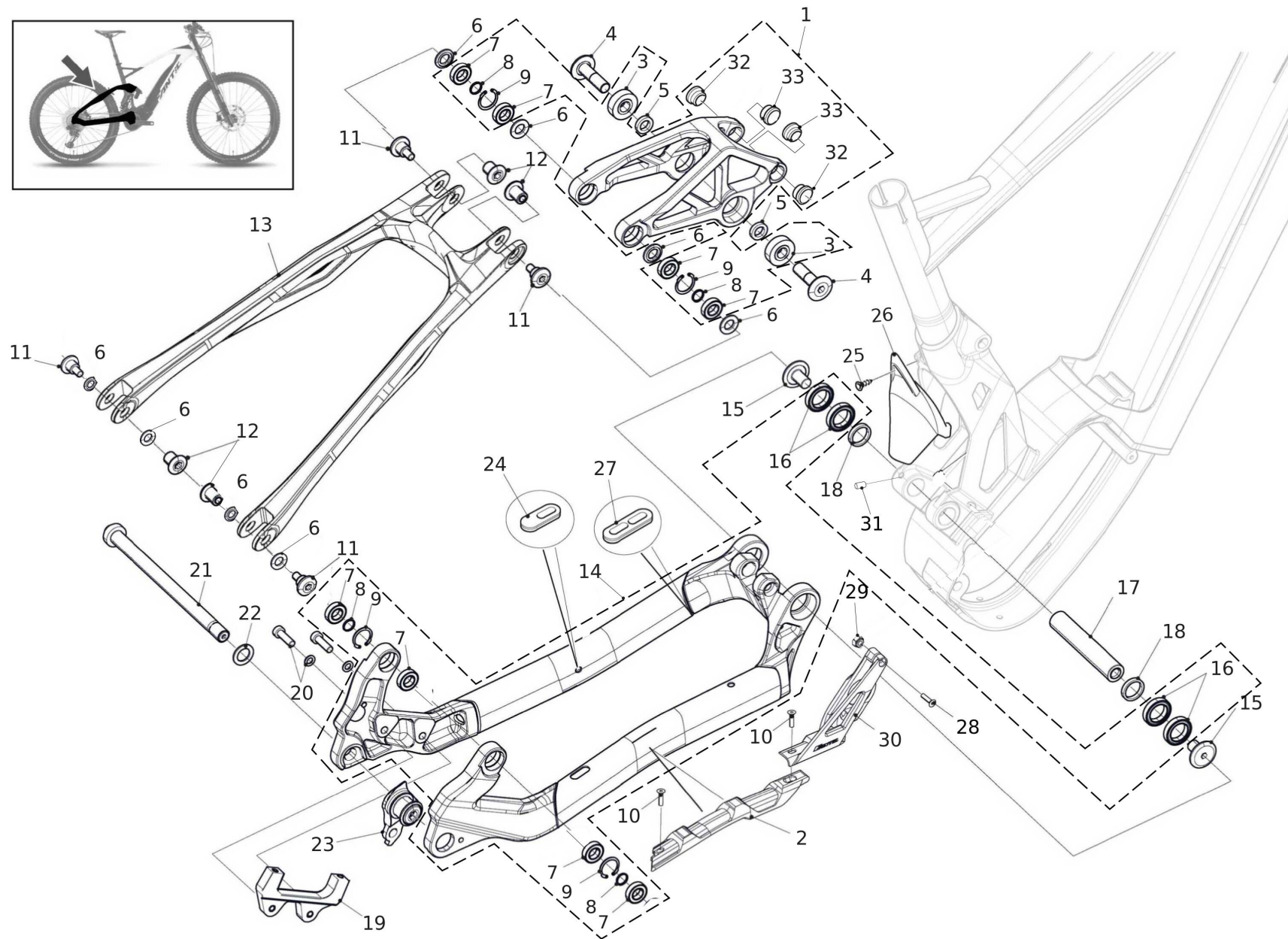
#	Code	Description	Specification	UM	Qty
---	------	-------------	---------------	----	-----



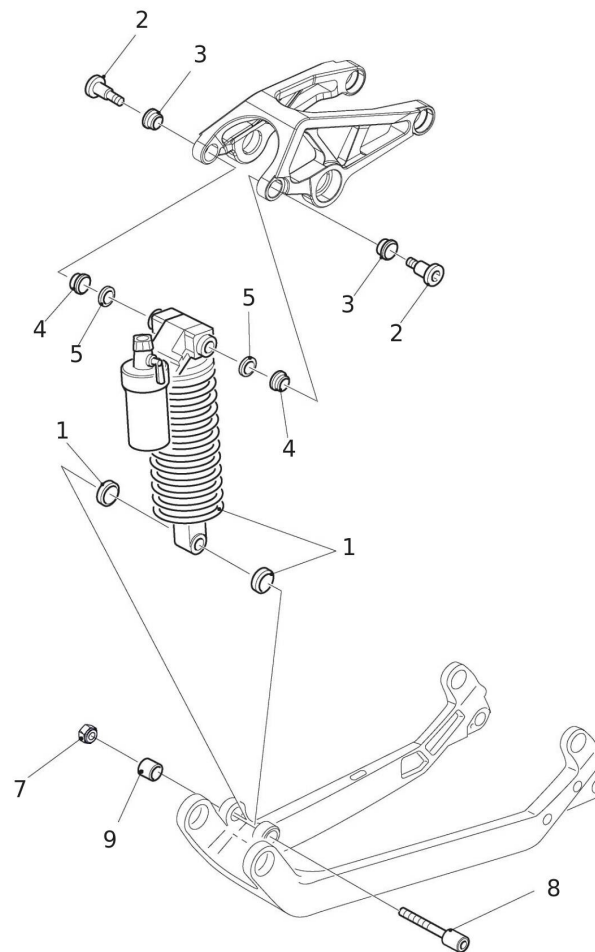
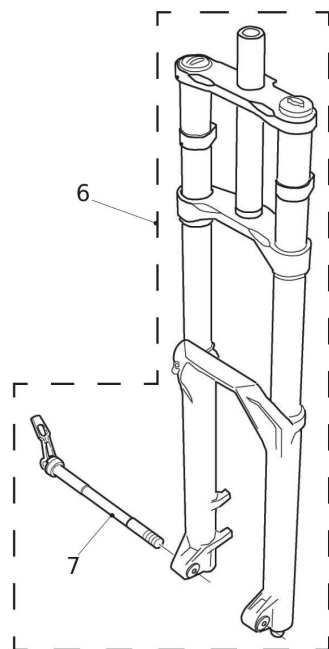
0 - Models (XXF 2.0 FACTORY MY22)



#	Code	Description	Specification	UM	Qty
1	B0100273L20	FRONT ENDURO ALU FRAME GREEN L MY22	L - GREEN	pz	1
1	B0100273M20	FRONT ENDURO ALU FRAME GREEN M MY22	M - GREEN	pz	1
1	B0100273S20	FRONT ENDURO ALU FRAME GREEN S MY22	S - GREEN	pz	1
1	B0100274L20	FRONT ENDURO ALU FRAME WHITE L MY22	S - WHITE	pz	1
1	B0100274M20	FRONT ENDURO ALU FRAME WHITE M MY22	M - WHITE	pz	1
1	B0100274S20	FRONT ENDURO ALU FRAME WHITE S MY22	L - WHITE	pz	1
2	B0100220005	BATTERY SCREW 720WH ERGAL		pz	1
3	B1000071005	ADHESIVE		pz	2
4	B-FVU66-MB0700035	HEADSET SPACER 1' 1/8		pz	2
5	B0700049005	HANDLEBAR		pz	1
6	B0700052005	ATTACCO-MANUBRIO-RENTHAL-INTEGRA-35MM-45		pz	1
7	B-FVU66-MB01000095	STEERER SPIDER		pz	1
8	B0100289005	SERIE-STERZO-FSA-NO.55R/57-1		pz	1
9	B+F8097-MB07000005	SPACER		pz	2
10	B1000014005			pz	1
11	B+FEN97-MB01000145	Integra internal DT cables clamp		pz	4
12	B0700048005	SADDLE		pz	1
13	B0700040005	SEATPOST	TAGLIA S/M	pz	1
13	B0700041005	SEATPOST	TAGLIA L	pz	1
14	B0700115005			pz	1
15	B0700126005	MANOPOLE-SWITCH-SUPERGRIP-COPPIA		pz	1
16	B1100093005	SCREW		pz	2
17	B0100350005	PASSACAVI-FRONTALINO-ENDURO-MY22		pz	1
18	B1000073005	ADHESIVE		pz	1
19	B1000065005	ADHESIVE		pz	2

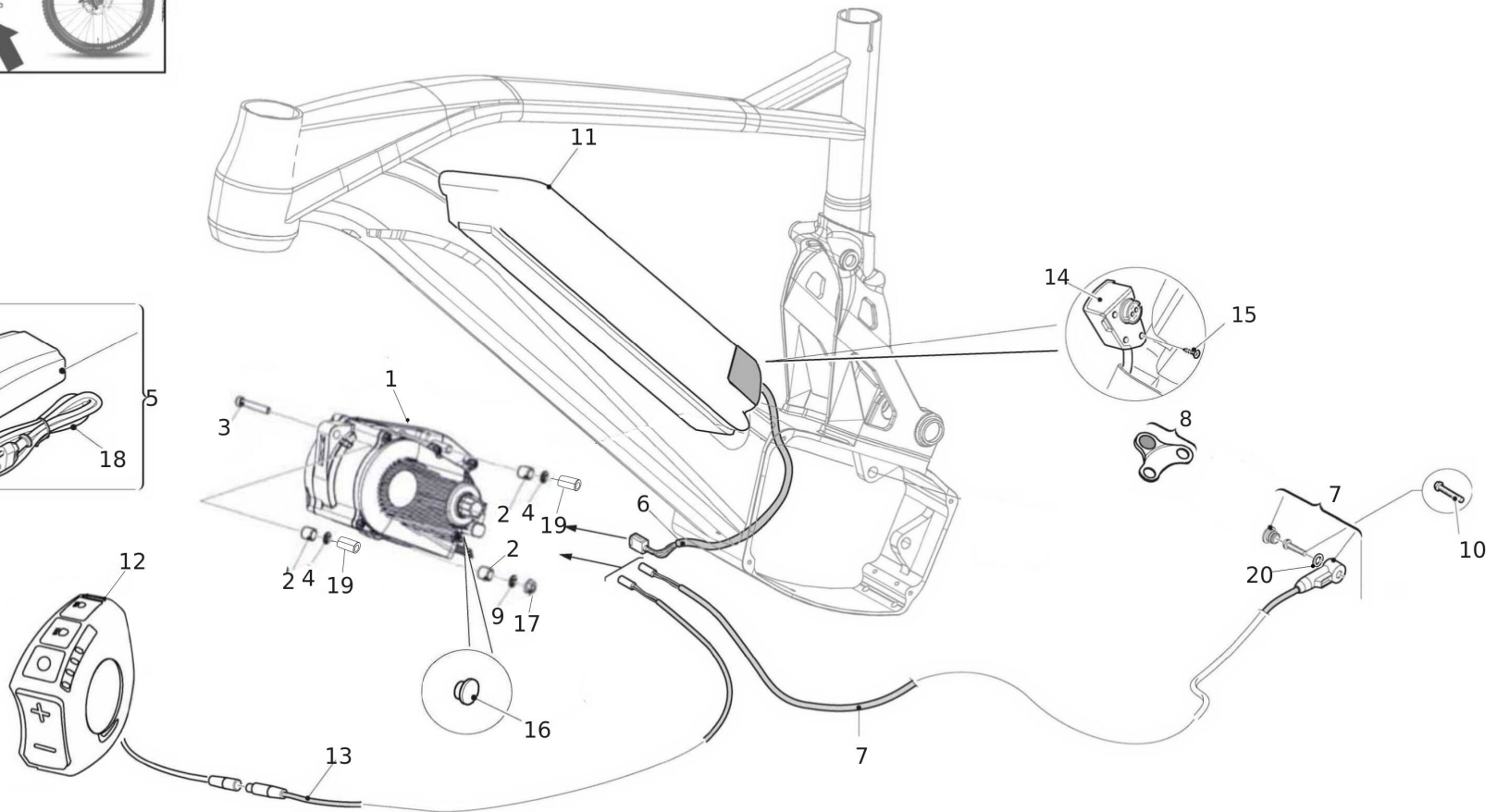
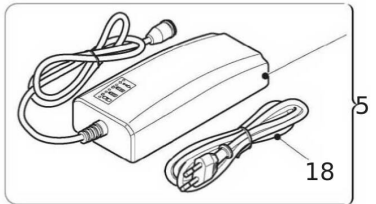
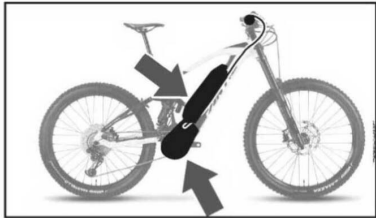


#	Code	Description	Specification	UM	Qty
1	B0100227020			pz	1
2	B0300021005	INTEGRA PLASTIC CHAIN GUARD	pz	pz	1
3	B-FP197-MB01000245			pz	2
4	B+FER97-MB01A00155	SCREW		pz	2
5	B0100048005			pz	2
6	B-FP197-MB01000175			pz	8
7	B-FP197-MB01000255	BEARING 19X10X5		pz	8
8	B-FP197-MB01000185			pz	4
9	B-FP197-MB01030185			pz	4
10	B1100037005	SCREW		pz	2
11	B+FER97-MB01A00165	SEATSTAY SCREW 16A ANODIZED LASER		pz	4
12	B+FER97-MB01B00165	NUT		pz	4
13	B0100130005	STRUT		pz	1
14	B0100276020	CARRO-TELAIO-END-MY22-TRASP-ASS		pz	1
15	B+FER97-MB01A00225	SCREW		pz	2
16	B+FEN97-MB01000345			pz	4
17	B+FER97-MB01000235	CYLINDER		pz	1
18	B-FP197-MB01020225			pz	2
19	B+FEC97-MB08000015			pz	1
20	B1100012005	SCREW		pz	2
21	B0100183005	PIN		pz	1
22	B1100088005	WASHER		pz	1
23	B0600024005	UNIVERSAL HANGER		pz	1
24	B+FEN97-MB01000375	GROMMET		pz	1
25	B1100091005	SCREW		pz	1
26	B0100054005	BUCKLER		pz	1
27	B0100342005	GOMMINO-CARRO-POST-DOPPIO		pz	1
28	B1100004005	SCREW	pz	pz	1
29	B1100046005	NUT		pz	1
30	B0300029005			pz	1
31	B1100068005	PIN		pz	1
32	B-FP197-MB01000275	IGUS		pz	2
33	B-FP197-MB01000285	IGUS		pz	2

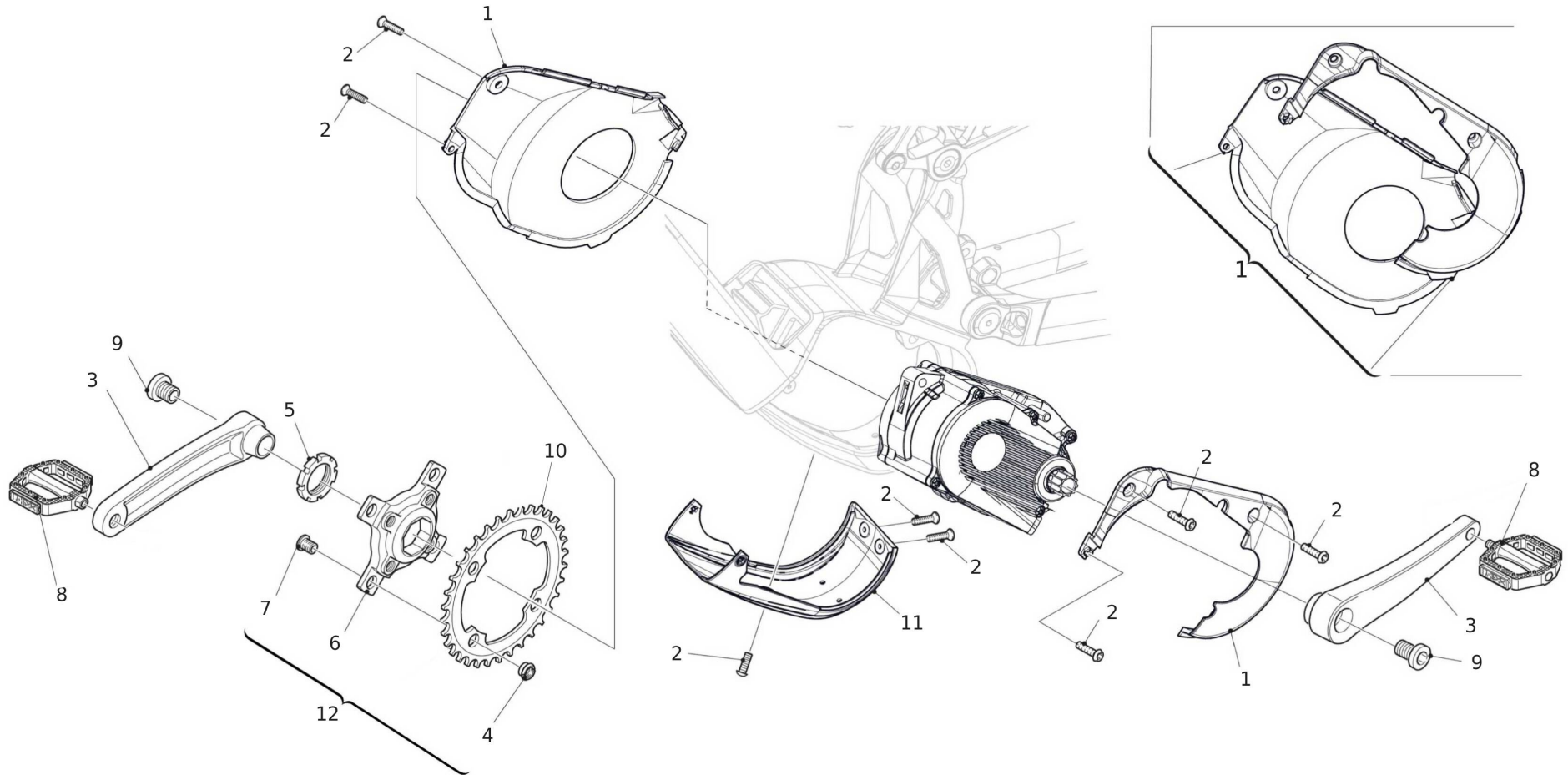
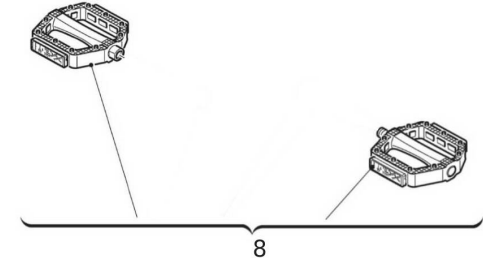


#	Code	Description	Specification	UM	Qty
1	B1300036005	SHOCK ABSORBER		pz	1
2	B+FER97-MB01A00145	SCREW		pz	2
3	B-FP197-MB01000275	IGUS		pz	2
4	B-FP197-MB01000285	IGUS		pz	2
5	B+FER97-MB01B00145	SPACER		pz	2
6	B1300046005	FORCELLA-OHLINS-38-DH-DP-200MM-MY22		pz	1
7	B1200020005	NUT		pz	1
8	B1200018005	SCREW		pz	1
9	B1200019005	BUSHING		pz	1



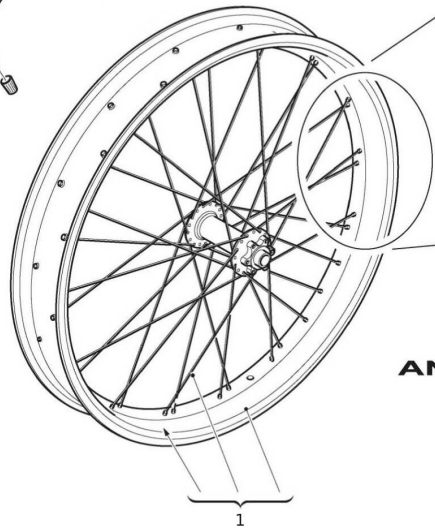
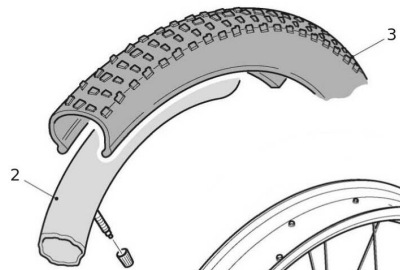


#	Code	Description	Specification	UM	Qty
1	B0200055005		25km/h per EUROPA, UK,...	pz	1
1	B0200056005		32km/h per USA, CANADA...	pz	1
2	B-FVU66-MB03000095			pz	3
3	B1100089005	SCREW		pz	1
4	B-FSP66-MB03000025	ZIGRATED WASHER SCHNORR 1,2mm		pz	2
5	B+FEN97-MB02000035	CHARGER INTEGRA 4A		pz	1
6	B0200097020	CABLE MOTOR BATTERY BROSE S MAG 430MM		pz	1
7	B0200127005	CABLE		pz	1
8	B0800058005			pz	1
9	B1100035005	WASHER		pz	1
10	B1100032005	SCREW		pz	1
11	B0200039005	BATTERY 720WH 36V FTC 002 50SD		pz	1
12	B0200153005	CRUSCOTTO-BROSE-REMOTE		pz	1
13	B+FC177-MB02000085			pz	1
14	B0300040005			pz	1
15	B+F4097-MB01000015	SCREW		pz	3
16	B+FC177-MB02000045			pz	3
17	B1100036005	NUT		pz	1
18	B-FVU66-MB02000215		ONLY EU plug	pz	1
18	B0200144005	CABLE	Only USA plug	pz	1
19	B1100090005	MOTOR NUT M8 HOUSING MY21 SILVER ANOD		pz	2
20	B+UME77-MB09000330	RONDELLA-M5X10-UNI 6592-INOX A2		pz	1

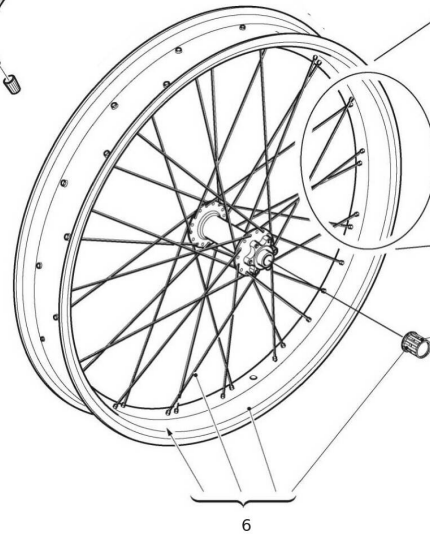
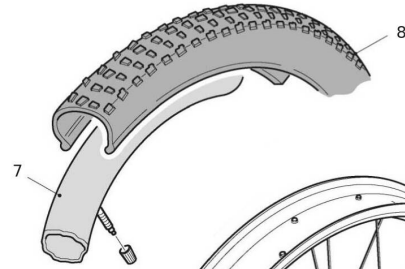
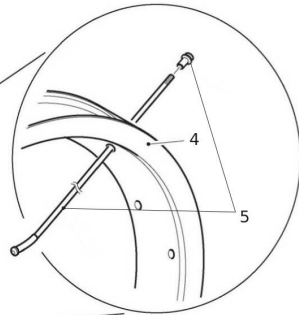


5 - Bottom bracket group (XXF 2.0 FACTORY MY22)

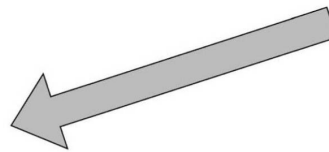
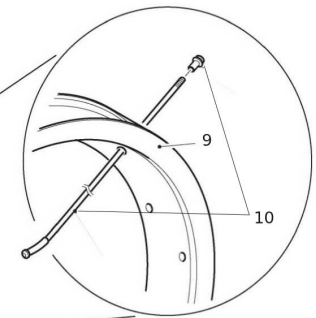
#	Code	Description	Specification	UM	Qty
1	B0300033005			pz	1
2	B1100091005	SCREW		pz	8
3	B0300035005	PEDIVELLE-FSA-CK-320-isis-155MM		pz	1
4	B-FVU66-MB03000175			pz	4
5	B-FVU66-MB02000025			pz	1
6	B0300004005			pz	1
7	B-FVU66-MB03000035	CHAINRING SCREW		pz	4
8	B0900102005	KIT-PEDALI-MY22		pz	1
9	B+F4097-MB03000020	Bolt ISIS CrMo M15x1.0x14x8 BK (2pcs),ML		pz	1
10	B0300002005			pz	1
11	B0300034005	CUP GUARD		pz	1
12	B0300003020			pz	1



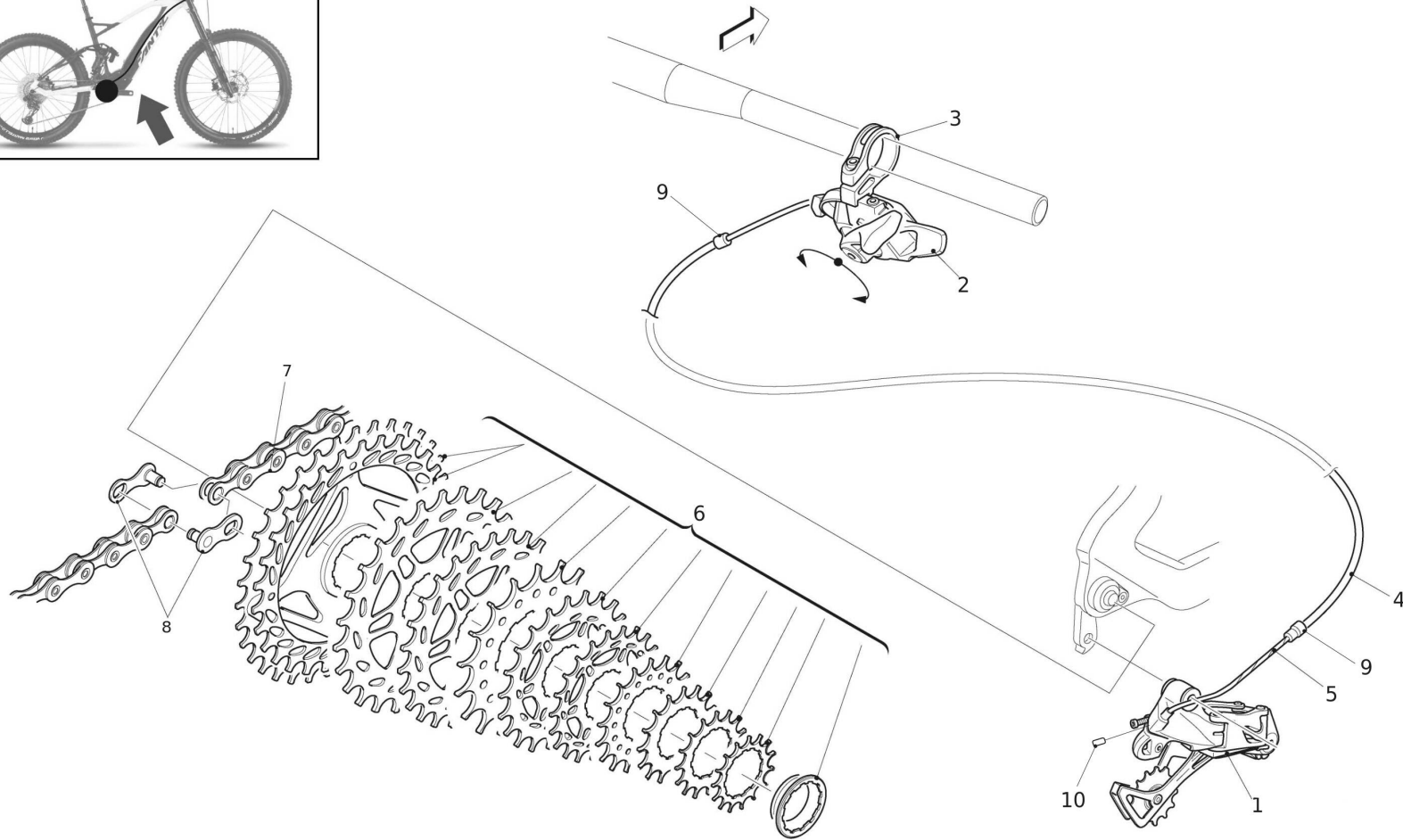
**FRONT
ANTERIORE**



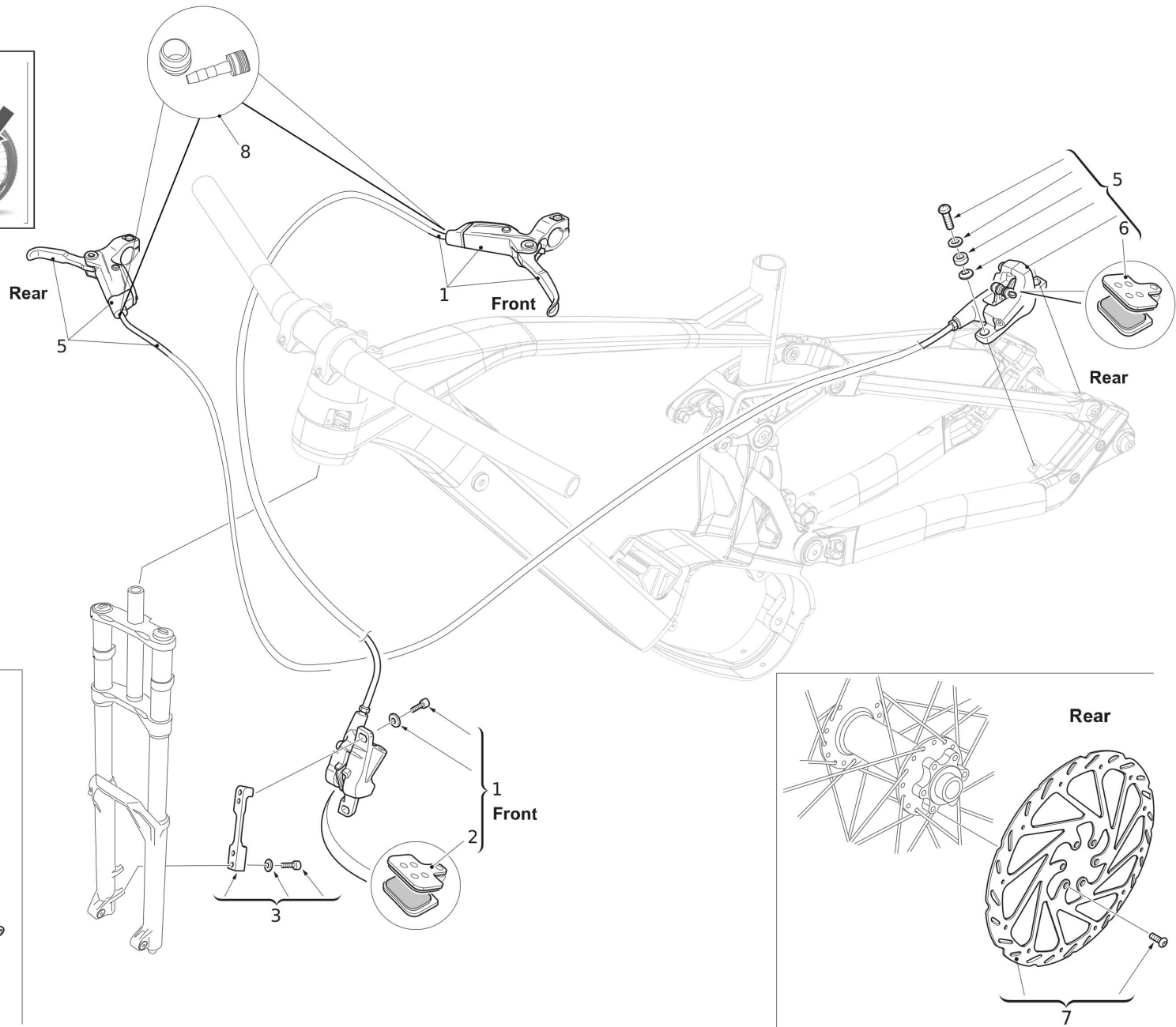
**REAR
POSTERIORE**



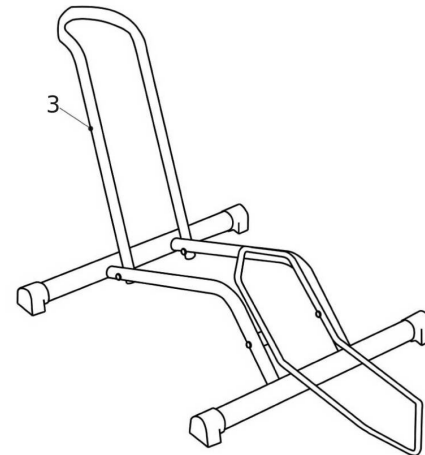
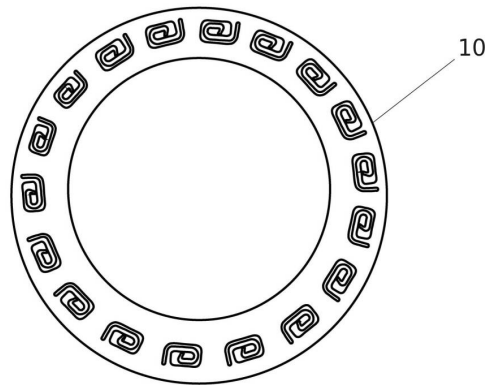
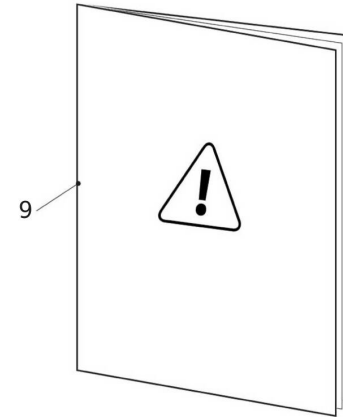
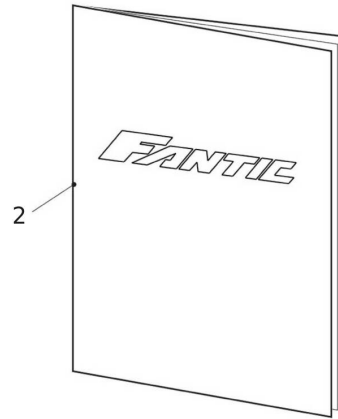
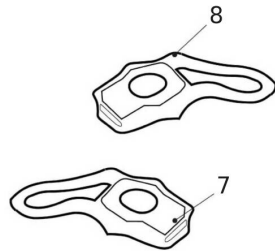
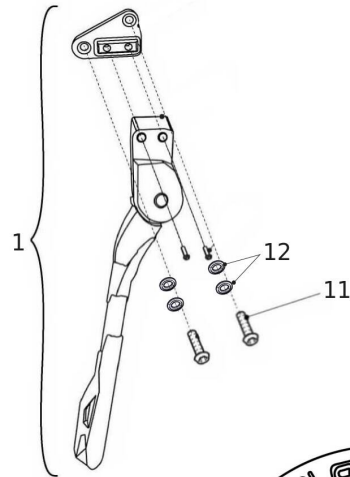
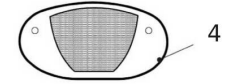
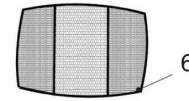
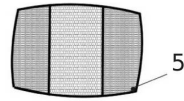
#	Code	Description	Specification	UM	Qty
1	B0400115005	RUOTA-ANT-29-E-DEEMAX-30MM-20X110		pz	1
2	B0400074005			pz	1
3	B0400072005			pz	1
4	B0400160005			pz	1
5	B0400161005			pz	1
6	B0500087005	RUOTA-POST-27,5-E-DEEMAX-35MM-12X148-SH		pz	1
7	B0400075005			pz	1
8	B0500072005			pz	1
9	B0500140005			pz	1
10	B0500141005		DX	pz	1
10	B0500142005		SX	pz	1
11	B0500143005			pz	1



#	Code	Description	Specification	UM	Qty
1	B0600005005			pz	1
2	B0600006005			pz	1
3	B-MR197-MB06000065			pz	1
4	B+FEN97-MB09000015	MT GEAR CHANGE SHEATH		cm	170
5	B-FVU66-MB06000085			pz	1
6	B0600051005	GEARS		pz	1
7	B0600008005			pz	1
8	B0600033005			pz	1
9	B+FEN97-MB06000035	CAP		pz	2
10	B1100002005	CAPICORDA		pz	1



#	Code	Description	Specification	UM	Qty
1	B0800002005	FRONT BRAKE BRAKING INCAS 850MM		pz	1
2	B0800093005			pz	1
3	B0800097005	DIST-POST-MOUNT-200-220-BRAKING-DH		pz	1
4	B0800037005			pz	1
5	B0800003005	REAR BRAKE BRAKING INCAS 1800MM		pz	1
6	B0800093005			pz	1
7	B0800038005			pz	1
8	B0800107005	OGIVA-FRENI-BRAKING		pz	1



#	Code	Description	Specification	UM	Qty
1	B0900026005			pz	1
2	B0900104005	LIBRETTO-USO-MANUTENZIONE-XEF/XXF-MY22		pz	1
3	B-MP097-MB09000015			pz	1
4	B0900006005	CATADIOTTRO-RUOTA-GIALLO		pz	4
5	B0900004005			pz	1
6	B0900005005	CATADIOTTRO-POSTERIORE-ROSSO		pz	1
7	B0900007005			pz	1
8	B0900008005			pz	1
9	B0900098005	LIBRETTO-AVVERTENZE-E-BIKE-21-INTERNAZ		pz	1
10	B0900020005	DISC		pz	1
11	B1100015005	SCREW		pz	2
12	B1100116005	RONDELLA-ZIGRINATA-SCHNORR-M6-INOX		pz	4
13	B0200075005			pz	1