



Spare parts catalogue

XTF 1.5 CARBON / XTF 1.5 CARBON SPORT - MY21

Index

0 - Models (XTF 1.5 CARBON - XTF 1.5 CARBON SPORT - MY21)	3
1 - Frame / Handlebar / Seat (XTF 1.5 CARBON / XTF 1.5 CARBON SPORT MY21)	5
2 - Rear swing fork (XTF 1.5 CARBON / XTF 1.5 CARBON SPORT MY21)	7
3 - Shock-absorbers (XTF 1.5 CARBON / XTF 1.5 CARBON SPORT MY21)	9
4 - Motor / Battery / Dash board (XTF 1.5 CARBON / XTF 1.5 CARBON SPORT MY21)	11
5 - Bottom bracket group (XTF 1.5 CARBON / XTF 1.5 CARBON SPORT MY21)	13
6 - Wheels (XTF 1.5 CARBON / XTF 1.5 CARBON SPORT MY21)	15
7 - Gear swift (XTF 1.5 CARBON / XTF 1.5 CARBON SPORT MY21)	17
8 - Brakes (XTF 1.5 CARBON / XTF 1.5 CARBON SPORT - MY21)	19
.....	21
100 - Suggested Spare Parts E-Bike	23



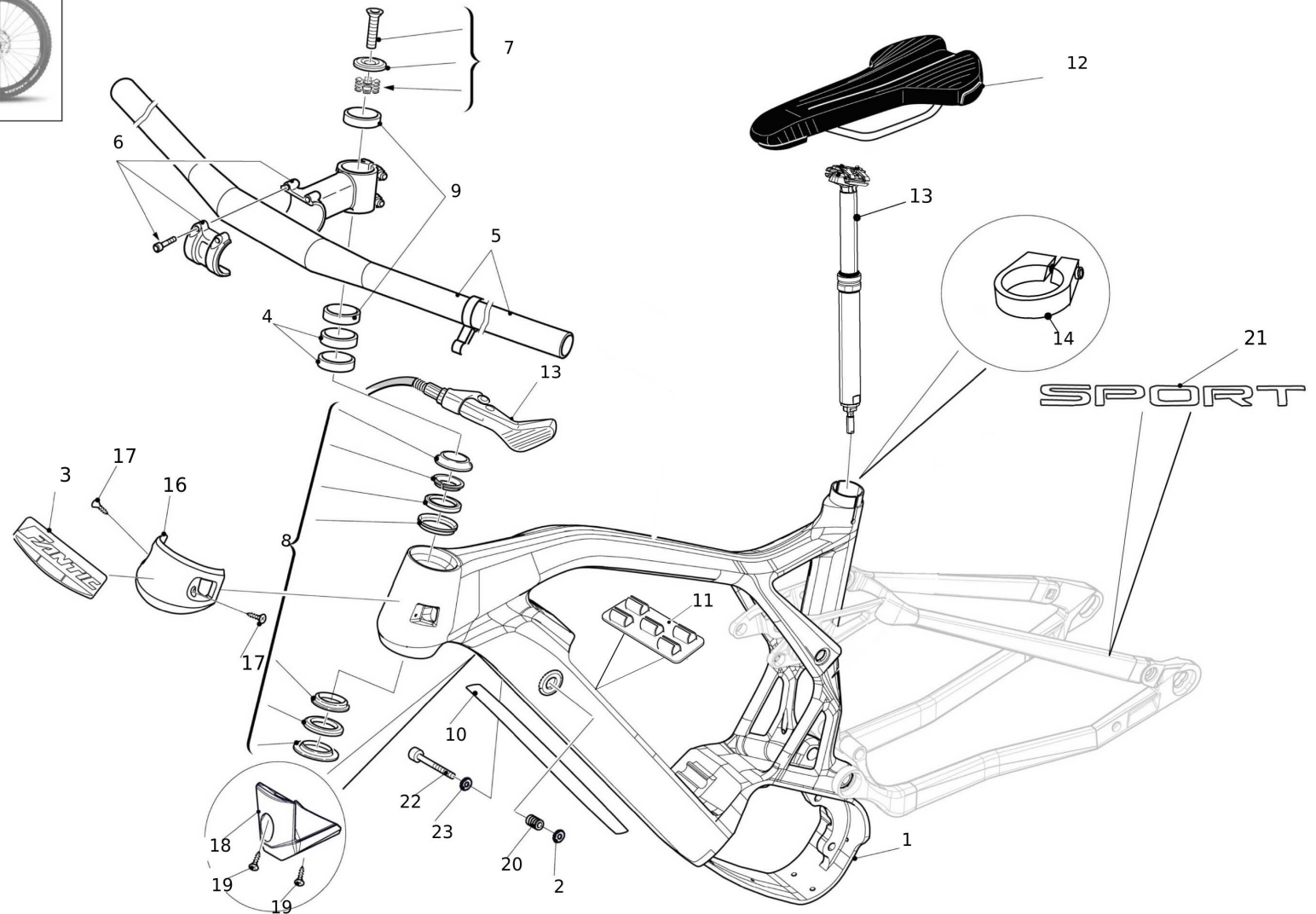
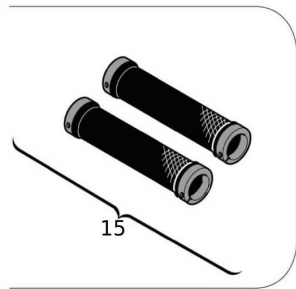
XTF 1.5 CARBON SPORT

Red

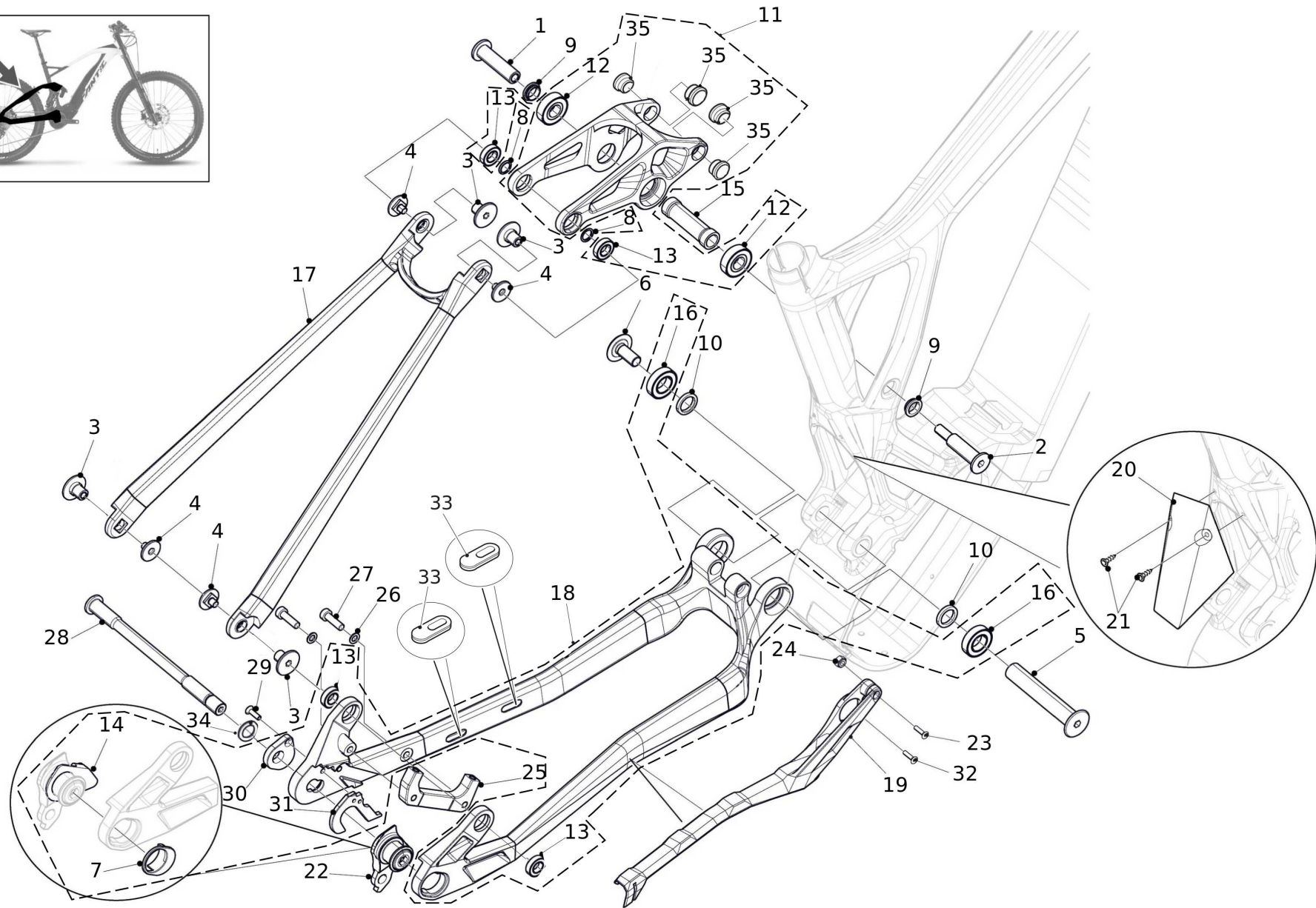
#	Code	Description	Specification	UM	Qty
---	------	-------------	---------------	----	-----



0 - Models (XTF 1.5 CARBON - XTF 1.5 CARBON SPORT - MY21)

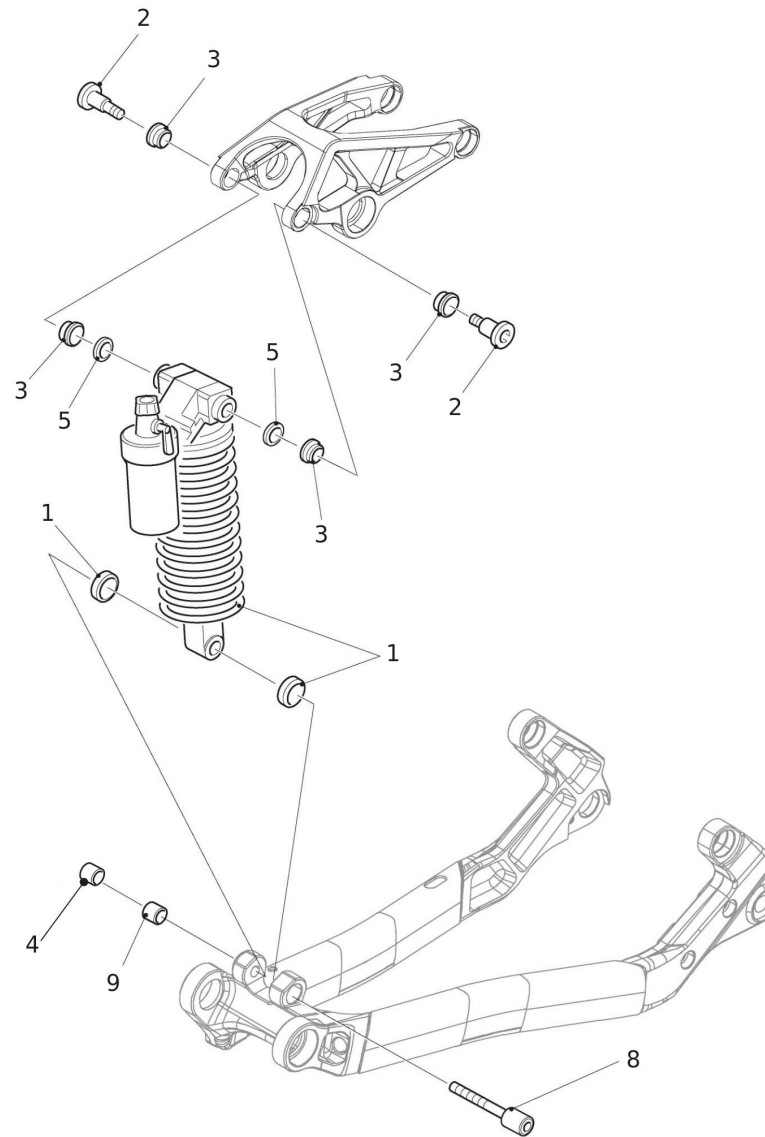
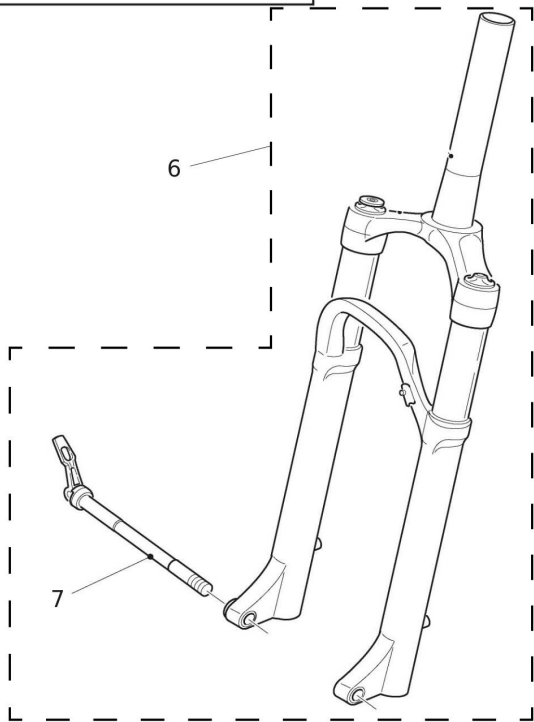


#	Code	Description	Specification	UM	Qty
1	B0100247L20	FRONT TRAIL CARBON FRAME L		pz	1
1	B0100247M20	FRONT TRAIL CARBON FRAME M		pz	1
1	B0100247S20	FRONT TRAIL CARBON FRAME S		pz	1
1	B0100247X20	FRONT TRAIL CARBON FRAME XL		pz	1
2	B+FEN97-MB03000045	NUT		pz	1
3	B1000077005	ADHESIVE		pz	1
4	B-FVU66-MB0700035	HEADSET SPACER 1' 1/8		pz	2
5	B+F4097-MB07000030	Comet Low Riser MTB HB SB black F31.8x15		pz	1
6	B+F4097-MB07000020	V Drive ST SB BLK F31.8x60mm		pz	1
7	B-FVU66-MB01000095	STEERER SPIDER		pz	1
8	B0100242005	SERIE-STERZO-FSA-HS-NO55R-1.5/558	XFT CARBON SPORT	pz	1
9	B+F8097-MB07000005	DISTANZIALE-MANUBRIO-1/8-5MM-ROSSO		pz	2
10	B1000014005	ADHESIVE		pz	1
11	B+FEN97-MB01000145	BLOCCACAVI-INTEGRA-INTERNO-DT		pz	4
12	B0700045005	SADDLE	XTF 1.5 CARBON	pz	1
12	B0700048005	SADDLE	XTF 1.5 CARBON SPORT	pz	1
13	B+FCA97-MB07000015	SEATPOST	Solo per taglie L	pz	1
13	B+FCA97-SB07000015	SEATPOST	Solo per taglie S-M	pz	1
13	B0700001005	SEATPOST	Solo per taglie XL	pz	1
14	B0700038005	RING		pz	1
15	B+FEN97-MB07000025	FANTIC GRIP		pz	1
16	B0100256005	CABLE PASSES		pz	1
17	B1100093005	SCREW		pz	2
18	B0100243005	FORK STOPPER TRAIL MY21 CARBON S/M	Solo per taglie S-M	pz	1
18	B0100254005	FORK STOPPER TRAIL MY21 CARBON L/XL	Solo per taglie L-XL	pz	1
19	B1100097005	SCREW		pz	2
20	B0100222005	BATTERY FIXING INSERT M14X1 720WH		pz	1
21	B1000067005	ADHESIVE		pz	2
22	B0100220005	BATTERY SCREW 720WH ERGAL		pz	1
23	B+FEN97-MB03000065	NUT		pz	1



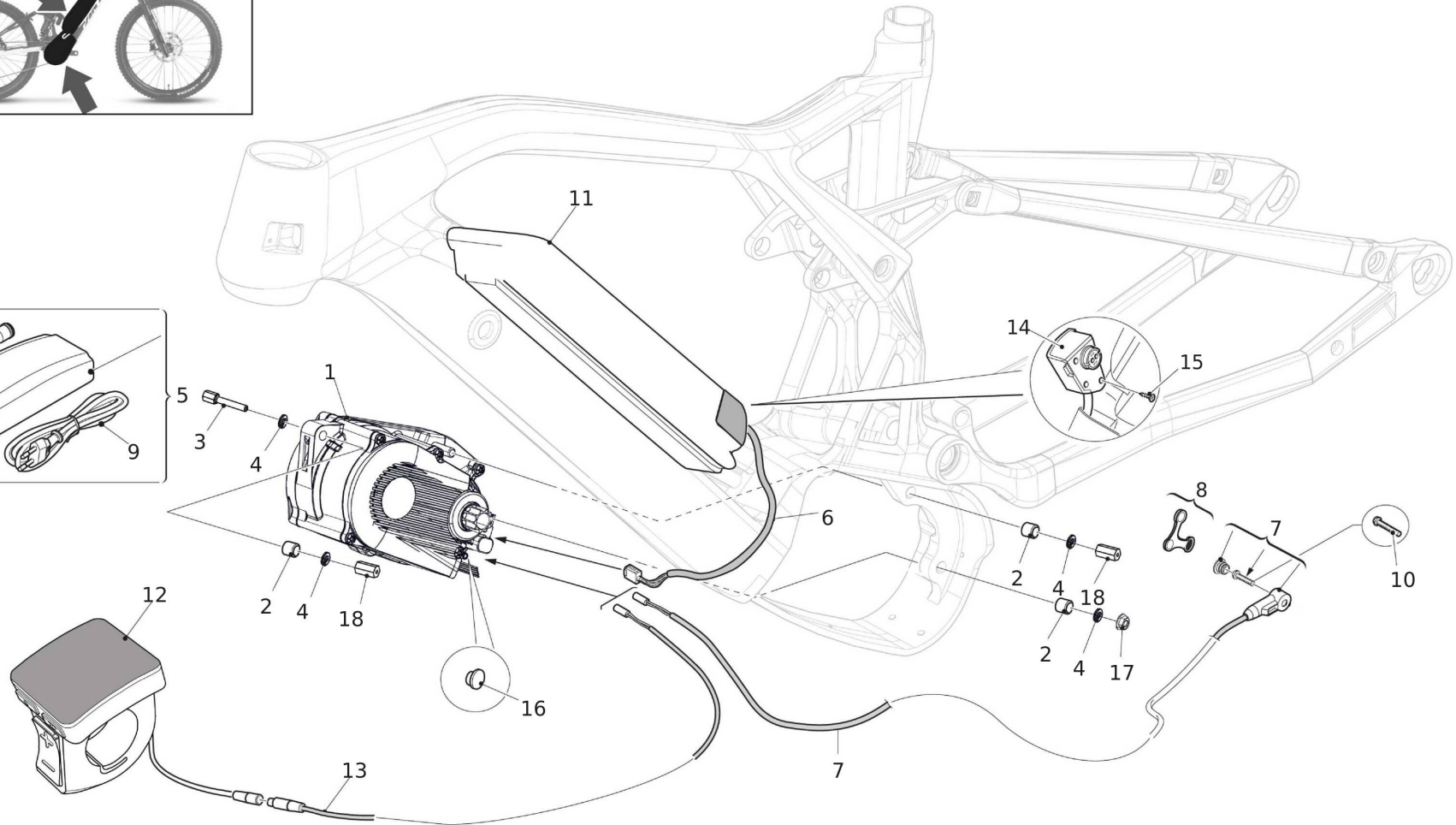
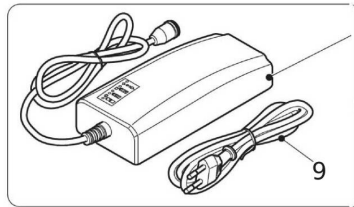
2 - Rear swing fork (XTF 1.5 CARBON / XTF 1.5 CARBON SPORT MY21)

#	Code	Description	Specification	UM	Qty
1	B0100188005	ROCKER NUT TRAIL MY21 CARB INOX		pz	1
2	B0100186005	ROCKER SCREW TRAIL MY21 CARB INOX		pz	1
3	B0100174005	SEATSTAY NUT TRAIL MY21 CARB INOX		pz	4
4	B0100176005	SEATSTAY SCREW TRAIL MY21 CARB INOX		pz	4
5	B0100127005	SWINGARM PIVOT TRAIL MY21 CARB INOX		pz	1
6	B0100172005	SWINGARM SCREW TRAIL MY21 CARB INOX		pz	1
7	B0100195005	RIGHT EXT WHEEL ADAPTER TRAIL MY21 CARB		pz	1
8	B0100182005	SEATSTAY SPACER TRAIL MY21 CARB		pz	2
9	B0100185005	ROCKER SPACER TRAIL MY21 CARB		pz	1
10	B0100170005	SWINGARM SPACER TRAIL MY21 CARB		pz	2
11	B0100168020	ROCKER TRAIL MY21 CARB GREY ANOD ASS		pz	1
12	B1100073005	BEARING		pz	2
13	B1100074005	BEARING		pz	4
14	B0100196005	RIGHT INT WHEEL ADAPTER TRAIL MY21 CARB		pz	1
15	B0100184005	ROCKER PIN TRAIL MY21 CARB		pz	1
16	B1100049005	BEARING		pz	2
17	B0100190005	ROCKER ENDURO MY21 ALU GREY ANOD ASS		pz	1
18	B0100445020	CARRO-TRAIL-MY21-CARB-FASCIATO-ASS		pz	1
19	B0100415005	BATTICATENA-INTEGRA-TRAIL-CARBON-NB500		pz	1
20	B0300036005	MUDGUARD		pz	1
21	B1100091005	SCREW		pz	2
22	B0600024005	UNIVERSAL HANGER		pz	1
23	B1100004005	SCREW		pz	1
24	B1100046005	NUT		pz	1
25	B0100421005	SUPPORTO-PINZA-POST-180-TRAIL-MY21-RIPAR		pz	1
26	B0800083005	DISTANZIALE-POST-MOUNT-180-203-GIST		pz	2
27	B0100232005	SCREW		pz	2
28	B0100183005	PIN		pz	1
29	B0100223005	VITE FHSCS M4X12		pz	1
30	B0100197005	LEFT EXT WHEEL ADAPTER TRAIL MY21 CARB		pz	1
31	B0100198005	LEFT INT WHEEL ADAPTER TRAIL MY21 CARB		pz	1
32	B1100091005	SCREW		pz	1
33	B0100401005	PASSACAVI-CARRO-T22-DOPPIO		pz	2
34	B1100088005	WASHER		pz	1
35	B1100070005	IGUS		pz	4



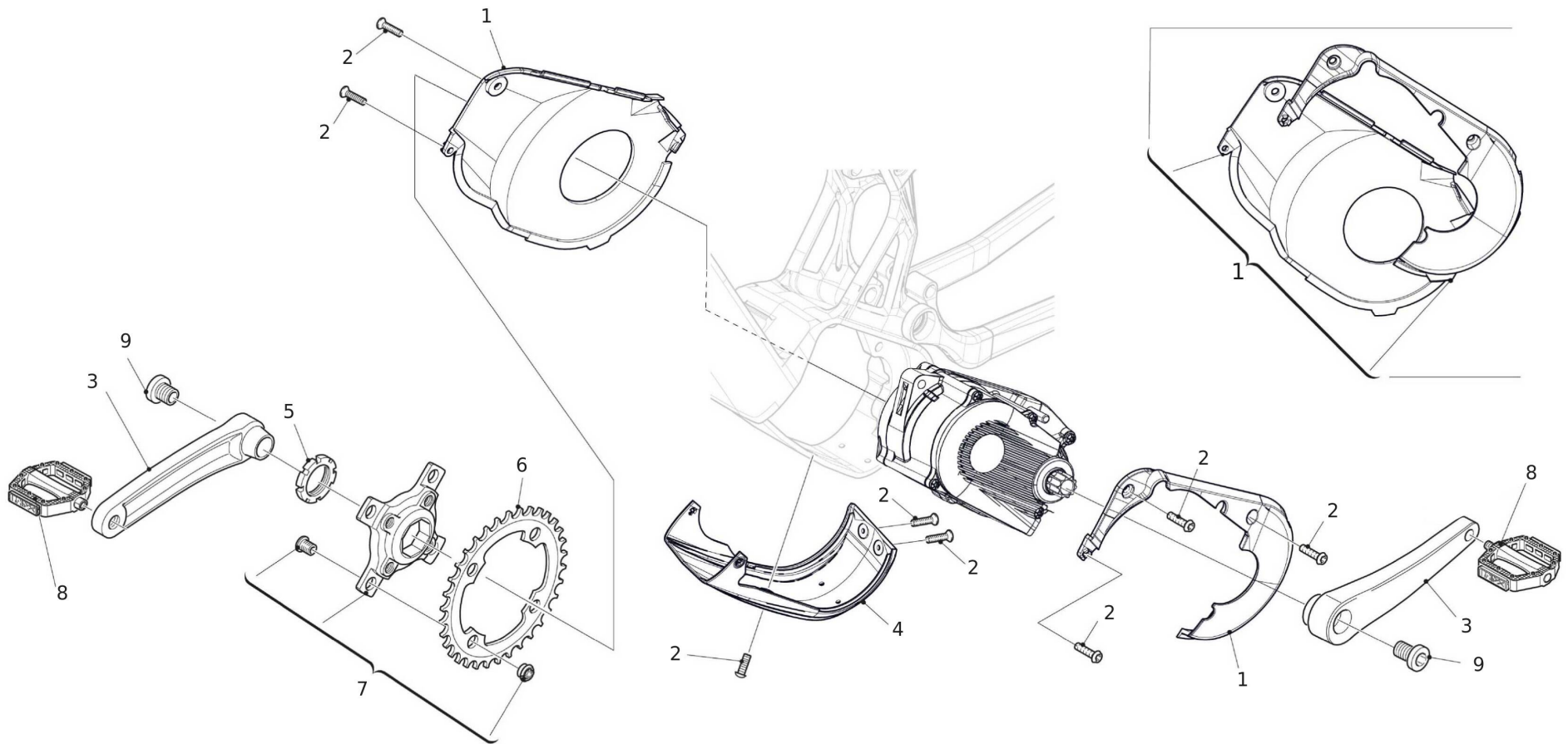
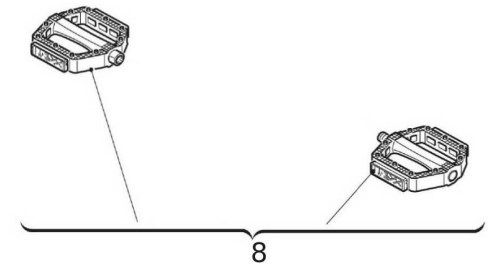
3 - Shock-absorbers (XTF 1.5 CARBON / XTF 1.5 CARBON SPORT MY21)

#	Code	Description	Specification	UM	Qty
1	B1300006005	SHOCK ABSORBER		pz	1
2	B0100192005	MONO ROCKER SCREW TRAIL MY21 CARB INOX		pz	2
3	B1100070005	IGUS		pz	4
4	B0100181005	MONO NUT TRAIL MY21 CARB		pz	1
5	B0100400005	DISTANZIALE-AMMO-BILANCIERE-T22		pz	1
6	B1300028005	FORK	XTF 1.5 CARBON	pz	1
6	B1300029005	FORK	XTF 1.5 CARBON SPORT	pz	1
7	B1300016005	PIN		pz	1
8	B1200018005	SCREW		pz	1
9	B0100194005	MONO BUSHING TRAIL MY21 CARB		pz	1

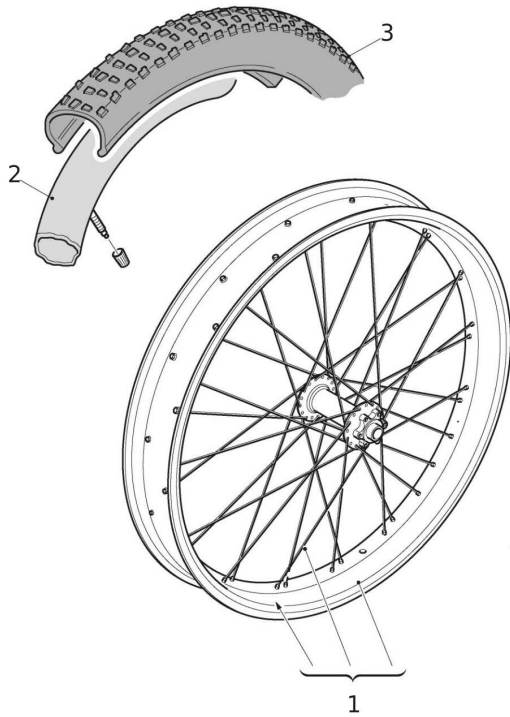


#	Code	Description	Specification	UM	Qty
1	B0200055005	MOTOR	25km/h per EUROPA, UK,...	pz	1
1	B0200056005	MOTOR	32km/h per USA, CANADA...	pz	1
2	B-FVU66-MB03000095	ENGINE FASTENING BUSHING		pz	3
3	B1100089005	SCREW		pz	1
4	B1100035005	WASHER		pz	4
5	B+FEN97-MB02000035	CARICA-BATTERIA-SIMPLO-4A		pz	1
6	B0200097020	CABLE MOTOR BATTERY BROSE S MAG 430MM		pz	1
7	B0200127005	CABLE		pz	1
8	B0800058005	MAGNET SET		pz	1
9	B-FVU66-MB02000215	CABLE		pz	1
9	B0200144005	CABLE	Only USA plug	pz	1
10	B1100032005	SCREW		pz	1
11	B0200039005	BATTERY 720WH 36V FTC 002 50SD		pz	1
12	B0200075005	DASHBOARD		pz	1
13	B+FC177-MB02000085	CABLE		pz	1
14	B0300040005	CONNECTOR COVER		pz	1
15	B+F4097-MB01000015	VITE-AUTOFILETTANTE-TC-CROCE-2,9x16-INOX		pz	3
16	B+FC177-MB02000045	CAP		pz	3
17	B1100036005	NUT		pz	1
18	B1100090005	MOTOR NUT M8 HOUSING MY21 SILVER ANOD		pz	2

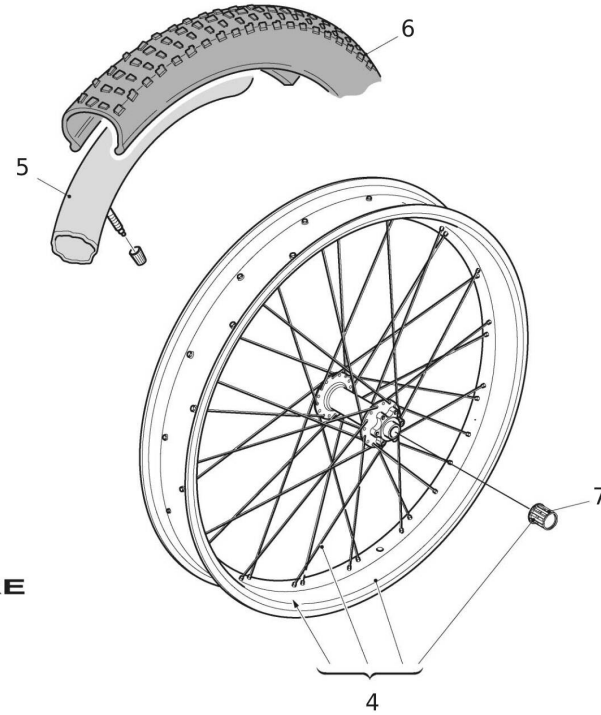




#	Code	Description	Specification	UM	Qty
1	B0300033005	SUMP SET		pz	1
2	B1100091005	SCREW		pz	8
3	B+F4097-MB03000015	PEDIVELLE-FSA-CK-762-(761)-WIDER-170mm		pz	1
4	B0300034005	CUP GUARD		pz	1
5	B-FVU66-MB02000025	SPIDER LOCK RING NUT		pz	1
6	B0300002005	SPOCKET		pz	1
7	B0300003020	SPIDER NUT SCREW KIT FSA		pz	1
8	B-FSP66-MB09000045	PEDALS		pz	1
9	B+F4097-MB03000020	KIT-2-VITI-PEDIVELLE-FSA-762-WIDER-ML054		pz	1

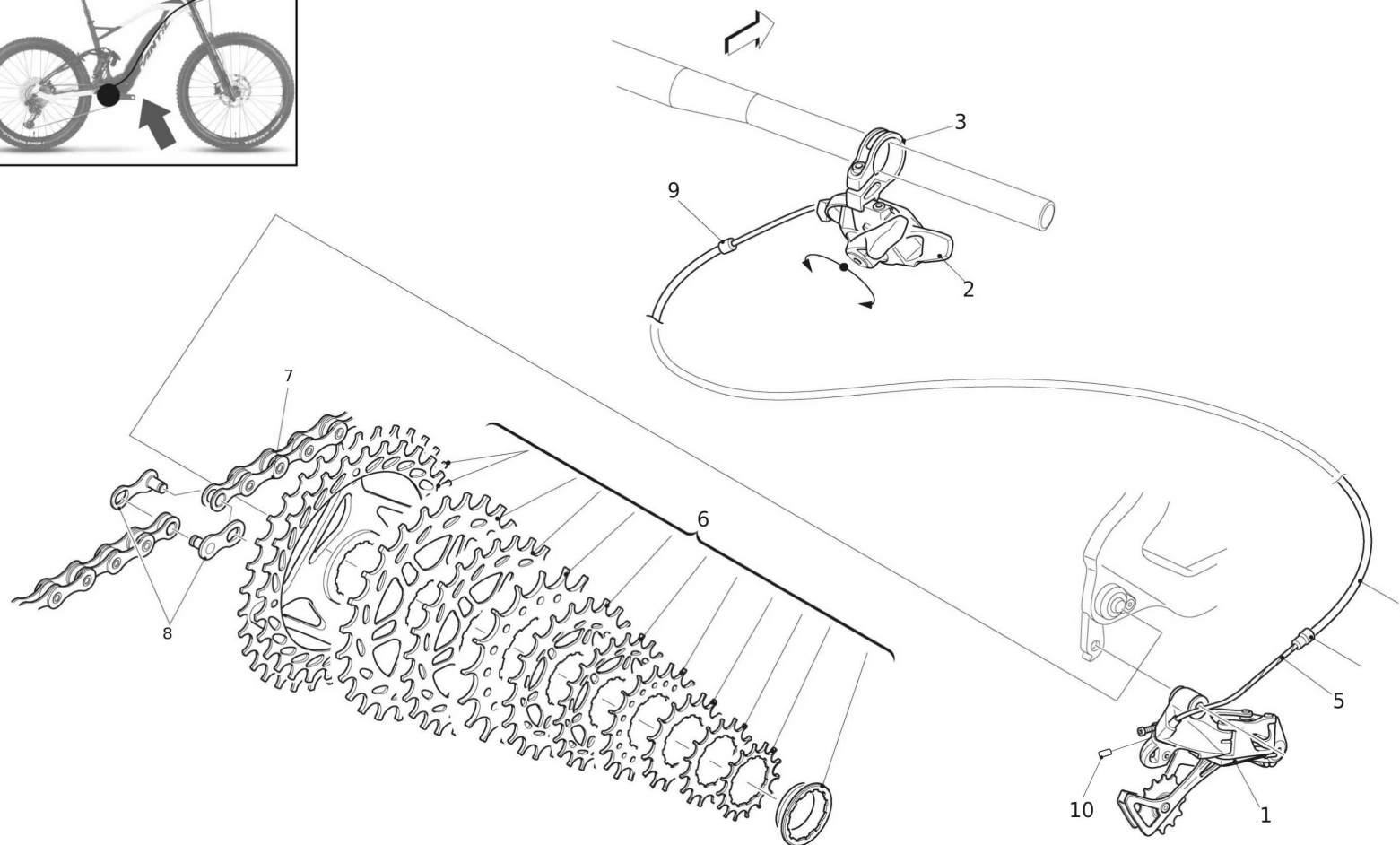


**FRONT
ANTERIORE**



**REAR
POSTERIORE**

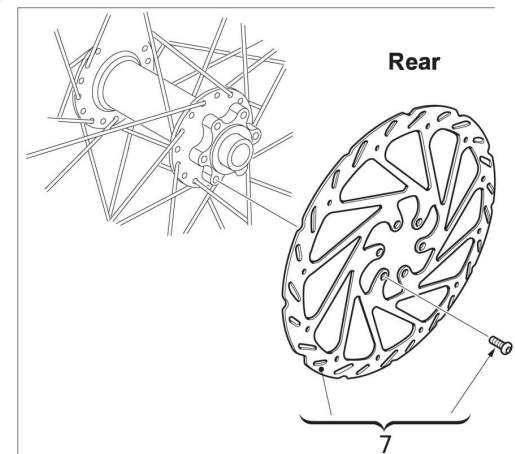
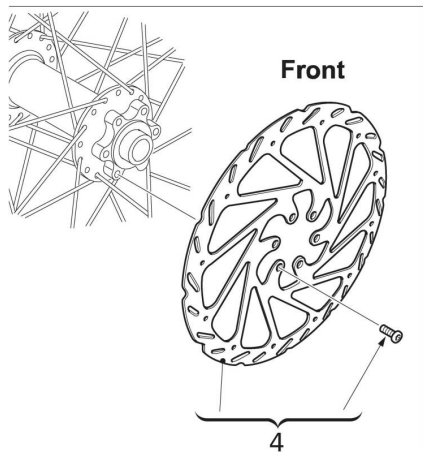
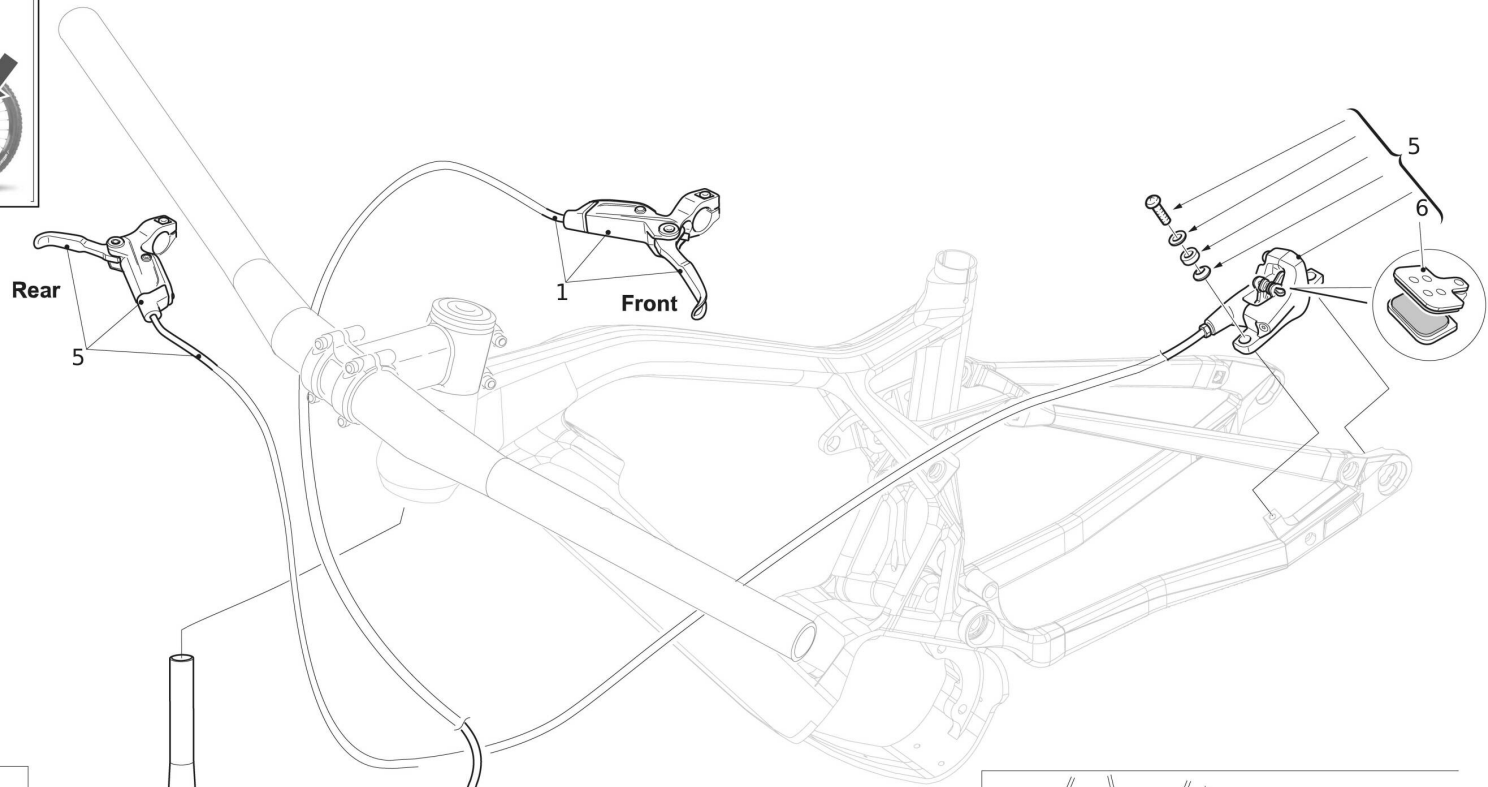
#	Code	Description	Specification	UM	Qty
1	B0400060005	WHEEL		pz	1
2	B+F4097-MB04000010	INNER TUBE		pz	1
3	B0400064005	TYRE		pz	1
4	B0500064005	WHEEL		pz	1
5	B+F4097-MB04000010	INNER TUBE		pz	1
6	B0500067005	TYRE		pz	1
7	B0500085005	FREEHUB		pz	1



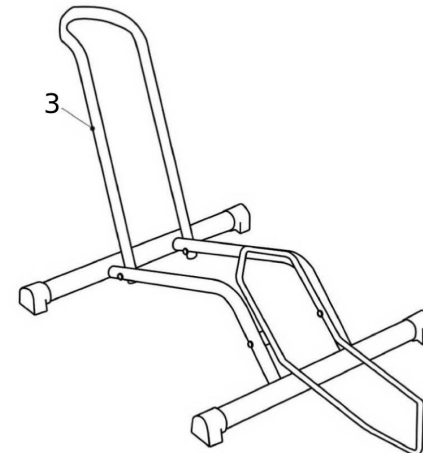
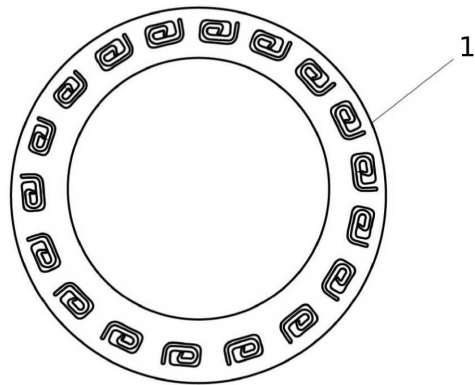
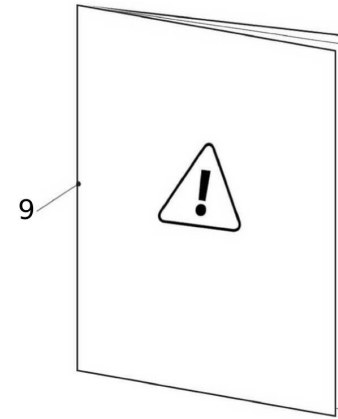
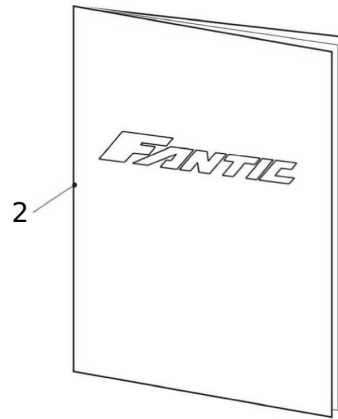
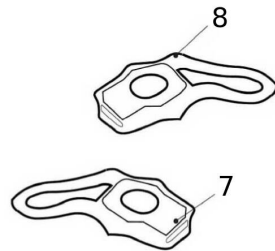
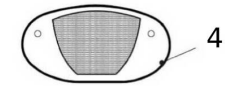
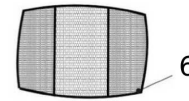
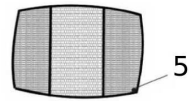
7 - Gear swift (XTF 1.5 CARBON / XTF 1.5 CARBON SPORT MY21)



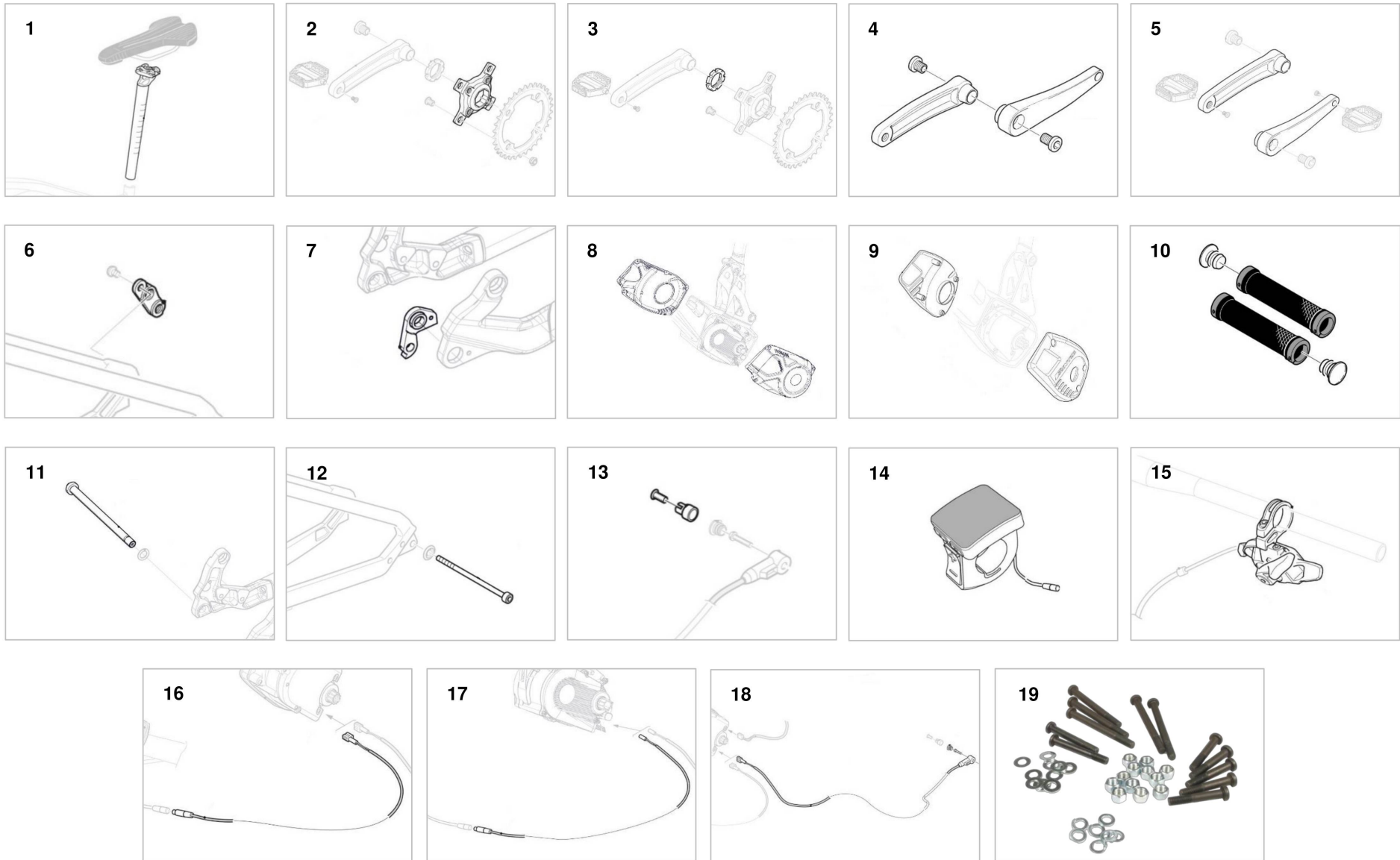
#	Code	Description	Specification	UM	Qty
1	B+FEN97-MB06000065	GEAR	XTF 1.5 CARBON	pz	1
1	B0600005005	GEAR	XTF 1.5 CARBON SPORT	pz	1
2	B+FEN97-MB06000055	CONTROL		pz	1
3	B-MR197-MB06000065	RING		pz	1
4	B+FEN97-MB09000015	GUAINA-CAMBIO-MT		cm	1
5	B-FVU66-MB06000085	GEAR CHANGE CABLE		pz	1
6	B0600003005	GEARS		pz	1
7	B0600004005	CHAIN		pz	1
8	B0600033005	JOINT		pz	1
9	B+FEN97-MB06000035	CAPOGUAINA-RESINA-NERO		pz	2
10	B1100002005	CAPICORDA		pz	1



#	Code	Description	Specification	UM	Qty
1	B+FEN97-MB08000055	FRONT BRAKE GUIDE T 900 20P MY19	XTF 1.5 CARBON	pz	1
1	B0800063005	FRONT BRAKE G2 RS 900MM 20P	XTF 1.5 CARBON SPORT	pz	1
2	B+F4097-MB09000005	KIT-PASTIGLIE-FRENO-G2-GUIDE-TRAIL-SRAM	XTF 1.5 CARBON - XTF 1...	pz	1
3	B+F4097-MB08000015	SPACER		pz	1
4	B+FC177-MB08000015	BRAKE DISC 200 MM	XTF 1.5 CARBON	pz	1
4	B0800038005	DISC	XTF 1.5 CARBON SPORT	pz	1
5	B0800062005	REAR BRAKE GUIDE T 1800MM DIR	XTF 1.5 CARBON	pz	1
5	B0800064005	REAR BRAKE G2 RS 1800MM DIR	XTF 1.5 CARBON SPORT	pz	1
6	B+F4097-MB09000005	KIT-PASTIGLIE-FRENO-G2-GUIDE-TRAIL-SRAM	XTF 1.5 CARBON - XTF 1...	pz	1
7	B+FC177-MB08000025	BRAKE DISC 180MM	XTF 1.5 CARBON	pz	1
7	B0800039005	DISC	XTF 1.5 CARBON SPORT	pz	1



#	Code	Description	Specification	UM	Qty
1	B0900020005	DISC		pz	1
2	B0900086005	USER MANUAL XTF CARBON		pz	1
3	B-MP097-MB09000015	REGGICICLO-SMONTABILE-MTB-ROAD-STABILUS		pz	1
4	B0900006005	CATADIOTTRO-RUOTA-GIALLO		pz	4
5	B0900004005	CATADIOTTRO-ANTERIORE-BIANCO		pz	1
6	B0900005005	CATADIOTTRO-POSTERIORE-ROSSO		pz	1
7	B0900007005	FANALE-ANTERIORE-GOMMA-PILA		pz	1
8	B0900008005	FANALE-POSTERIORE-GOMMA-PILA		pz	1
9	B0900087005	WARNING USER MANUAL		pz	1



#	Code	Description	Specification	UM	Qty
1	B+FCA97-MB07000015	SEATPOST	L	pz	1
1	B+FCA97-SB07000015	SEATPOST	S-M	pz	1
1	B0700001005	SEATPOST	XL	pz	1
2	B0300003020	SPIDER NUT SCREW KIT FSA		pz	1
3	B-FVU66-MB02000025	SPIDER LOCK RING NUT		pz	1
5	B+F4097-MB03000015	PEDIVELLE-FSA-CK-762-(761)-WIDER-170mm		pz	1
7	B0600024005	UNIVERSAL HANGER		pz	1
9	B0300033005	SUMP SET		pz	1
10	B+FEN97-MB07000025	FANTIC GRIP		pz	1
11	B0100183005	PIN		pz	1
13	B0800058005	MAGNET SET		pz	1
14	B0200075005	DASHBOARD		pz	1
15	B+FEN97-MB06000055	CONTROL		pz	1
17	B+FC177-MB02000085	CABLE		pz	1
18	B0200127005	CABLE		pz	1
19	09227020	KIT MINUTERIE MTB		pz	1