



Spare parts catalogue
XTF 1.5 / XTF 1.5 SPORT - MY22

Index

0 - Models (XTF 1.5 / XTF 1.5 SPORT - MY22)	3
1 - Frame / Handlebar / Seat (XTF 1.5 / XTF 1.5 SPORT - MY22)	5
2 - Rear swing fork (XTF 1.5 / XTF 1.5 SPORT - MY22)	7
3 - Shock-absorbers (XTF 1.5 / XTF 1.5 SPORT - MY22)	9
4 - Motor / Battery / Dash board (XTF 1.5 / XTF 1.5 SPORT - MY22)	11
5 - Bottom bracket group (XTF 1.5 / XTF 1.5 SPORT - MY22)	13
6 - Wheels (XTF 1.5 / XTF 1.5 SPORT - MY22)	15
7 - Gear swift (XTF 1.5 / XTF 1.5 SPORT - MY22)	17
8 - Brakes (XTF 1.5 / XTF 1.5 SPORT - MY22)	19
9 - Accessories (XTF 1.5 / XTF 1.5 SPORT - MY22)	21



XTF 1.5
Silver



XTF 1.5
Yellow



XTF 1.5 SPORT
Silver

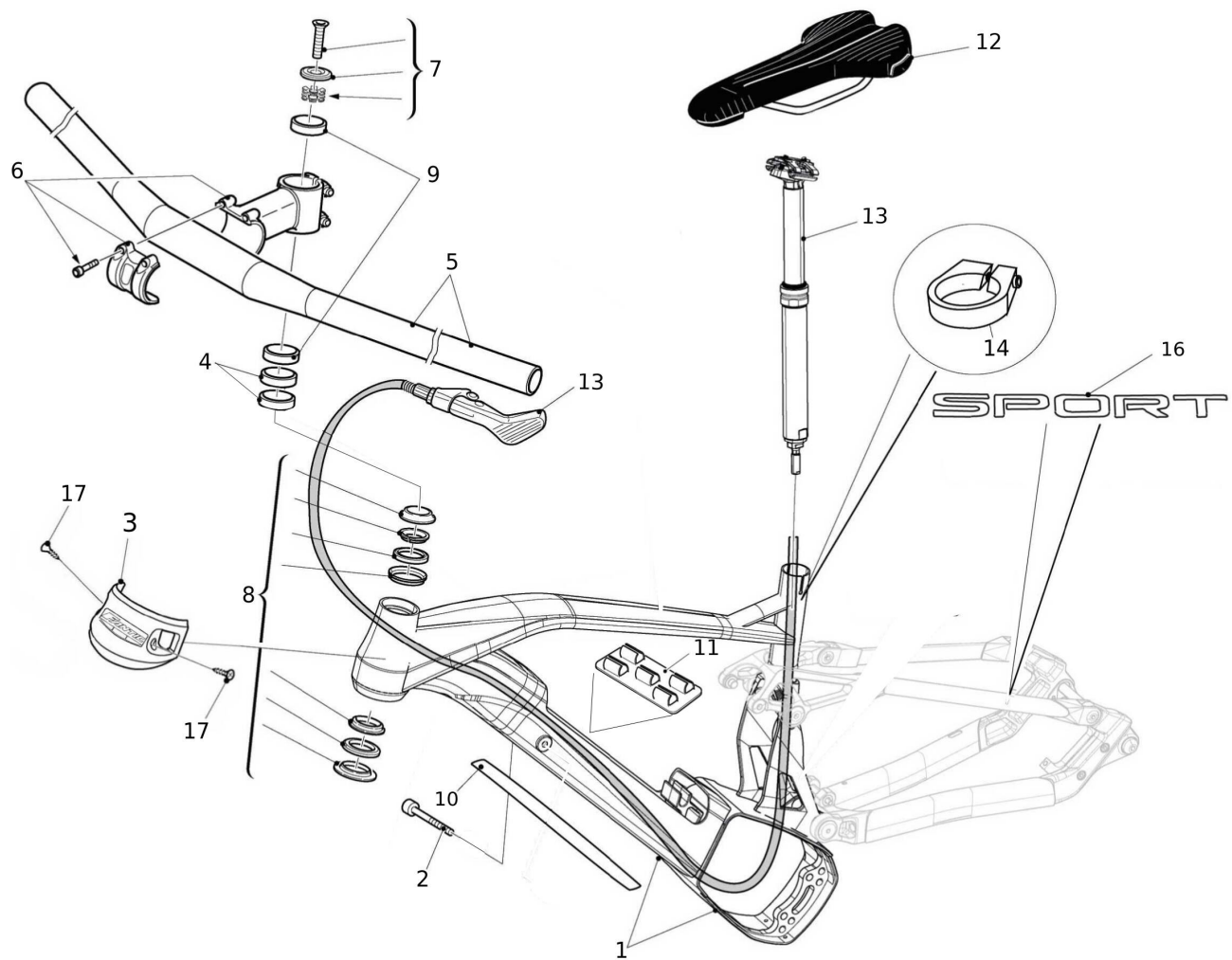
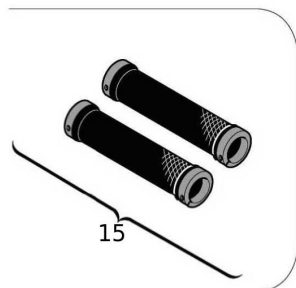
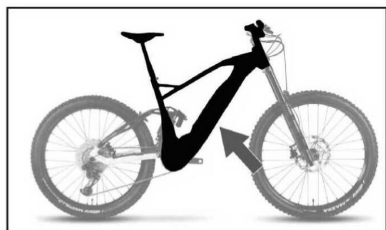


XTF 1.5 SPORT
Yellow

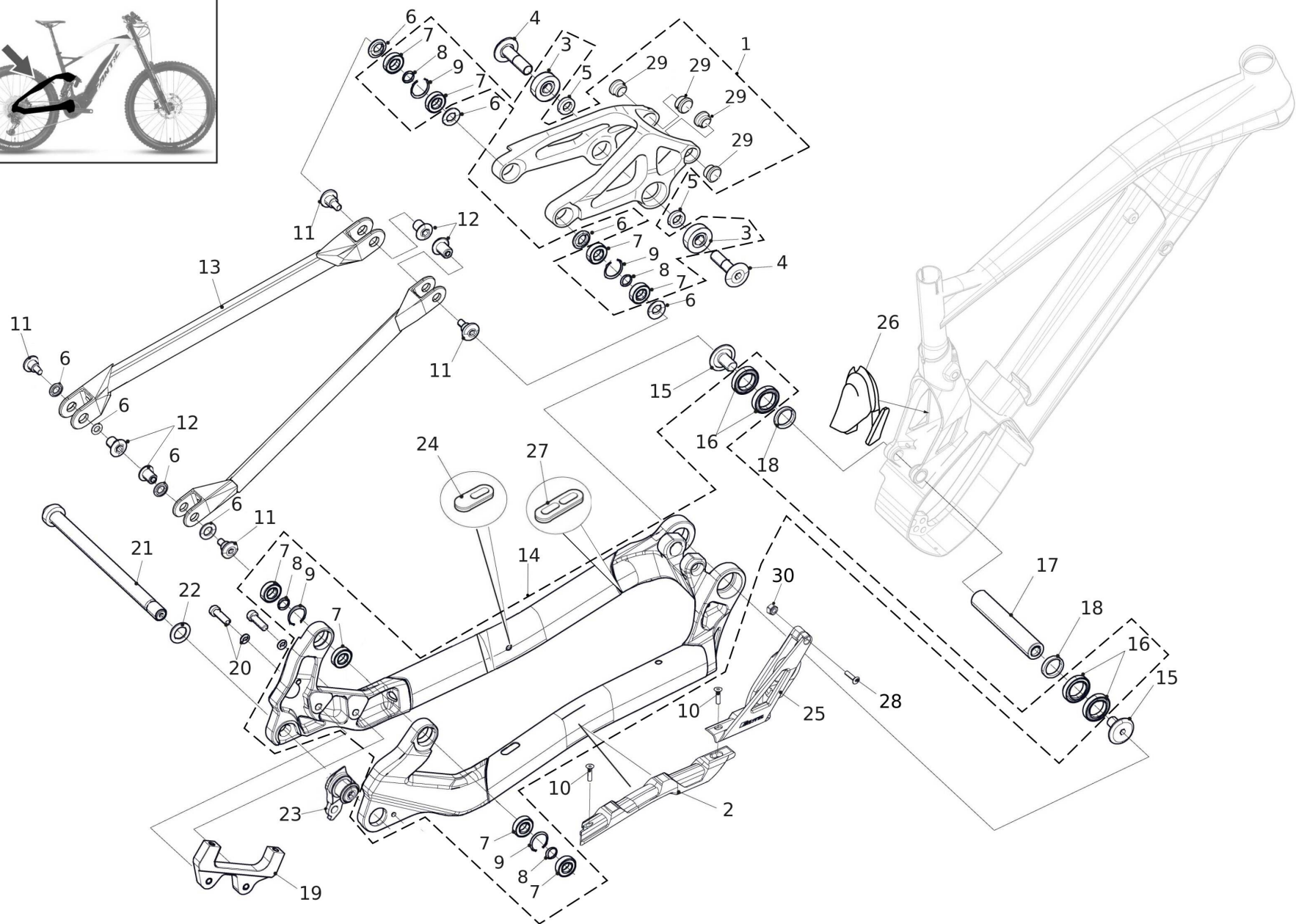
#	Code	Description	Specification	UM	Qty
---	------	-------------	---------------	----	-----



0 - Models (XTF 1.5 / XTF 1.5 SPORT - MY22)

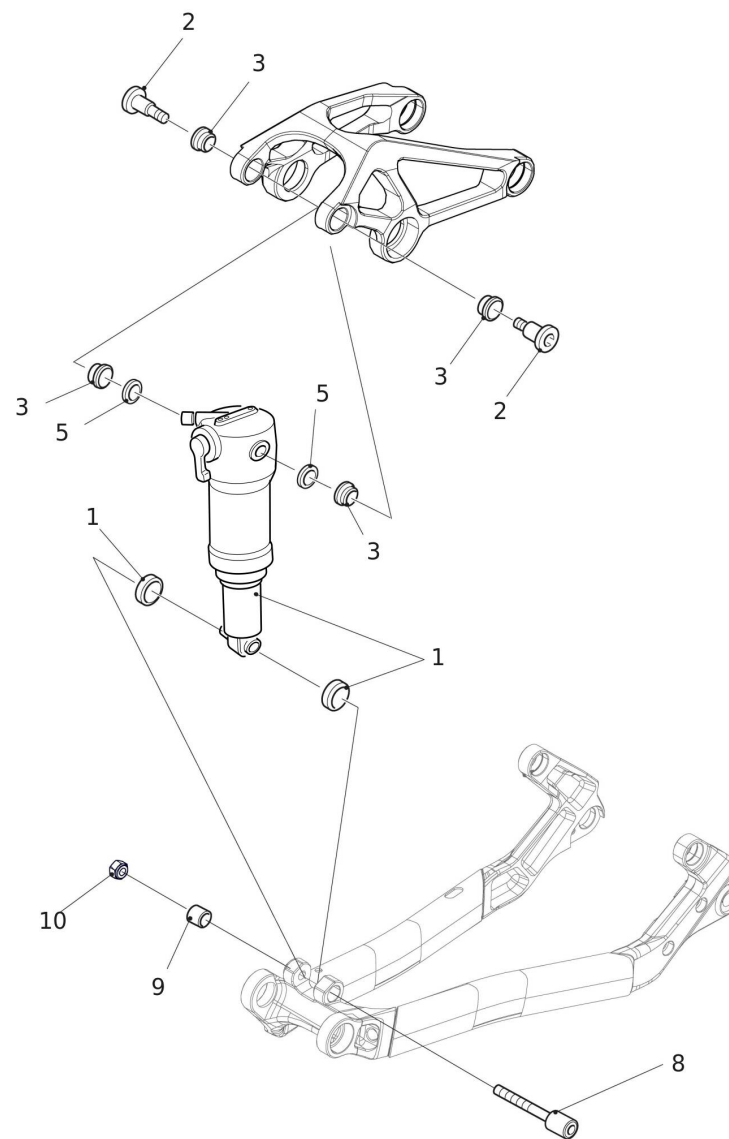
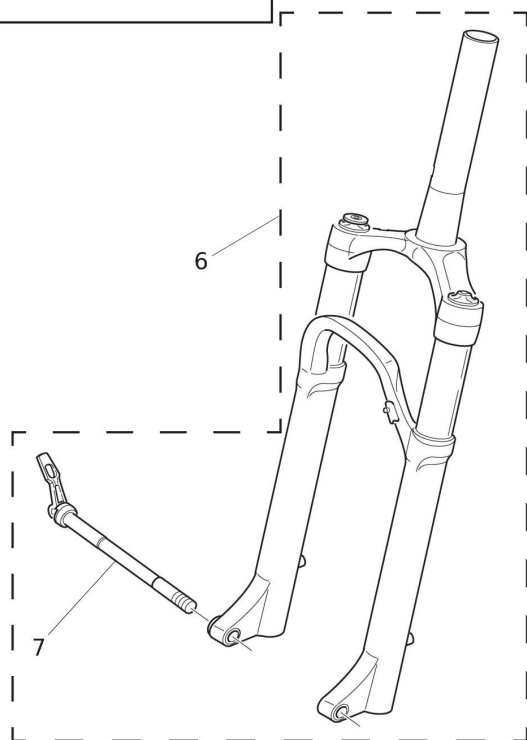


#	Code	Description	Specification	UM	Qty
1	B0100281L20	FRONT TRAIL ALU FRAME SILVER L MY22	SILVER L	pz	1
1	B0100281M20	FRONT TRAIL ALU FRAME SILVER M MY22	SILVER M	pz	1
1	B0100281S20	FRONT TRAIL ALU FRAME SILVER S MY22	SILVER S	pz	1
1	B0100282L20	FRONT TRAIL ALU FRAME YELLOW L MY22	YELLOW L	pz	1
1	B0100282M20	FRONT TRAIL ALU FRAME YELLOW M MY22	YELLOW M	pz	1
1	B0100282S20	FRONT TRAIL ALU FRAME YELLOW S MY22	YELLOW S	pz	1
2	B+FEN97-MB01000405	INOX 40 FRAME BATTERY SCREW		pz	1
3	B0100350005	PASSACAVI-FRONTALINO-ENDURO-MY22		pz	1
4	B-FVU66-MB0700035	HEADSET SPACER 1' 1/8		pz	2
5	B0700105005	PIEGA-PROMAX-HB-318DB-760MM-31,8MM-NERO		pz	1
6	B0700043005	STEM		pz	1
7	B-FVU66-MB01000095	STEERER SPIDER		pz	1
8	B0100075005	HEADSET-NO57-HBS-156GRADI-BLOCC		pz	1
9	B+F8097-MB07000005	DISTANZIALE-MANUBRIO-1/8-5MM-ROSSO		pz	2
10	B1000014005	ADHESIVE		pz	1
11	B+FEN97-MB01000145	BLOCCACAVI-INTEGRA-INTERNO-DT		pz	4
12	B0700102005	SELLA-ITALIA-MODEL-X-COMFORT-SUPERFLOW		pz	1
13	B+FCA97-SB07000025	SEATPOST	TAGLIA S	pz	1
13	B0700044005	SEATPOST	TAGLIA M/L	pz	1
14	B0700115005	COLLARINO-MX37RT-ANOD-NERO-35MM-FANTIC		pz	1
15	B0700126005	MANOPOLE-SWITCH-SUPERGRIP-COPPIA		pz	1
16	B1000067005	ADHESIVE	XTF SPORT	pz	2
17	B1100093005	SCREW		pz	2



2 - Rear swing fork (XTF 1.5 / XTF 1.5 SPORT - MY22)

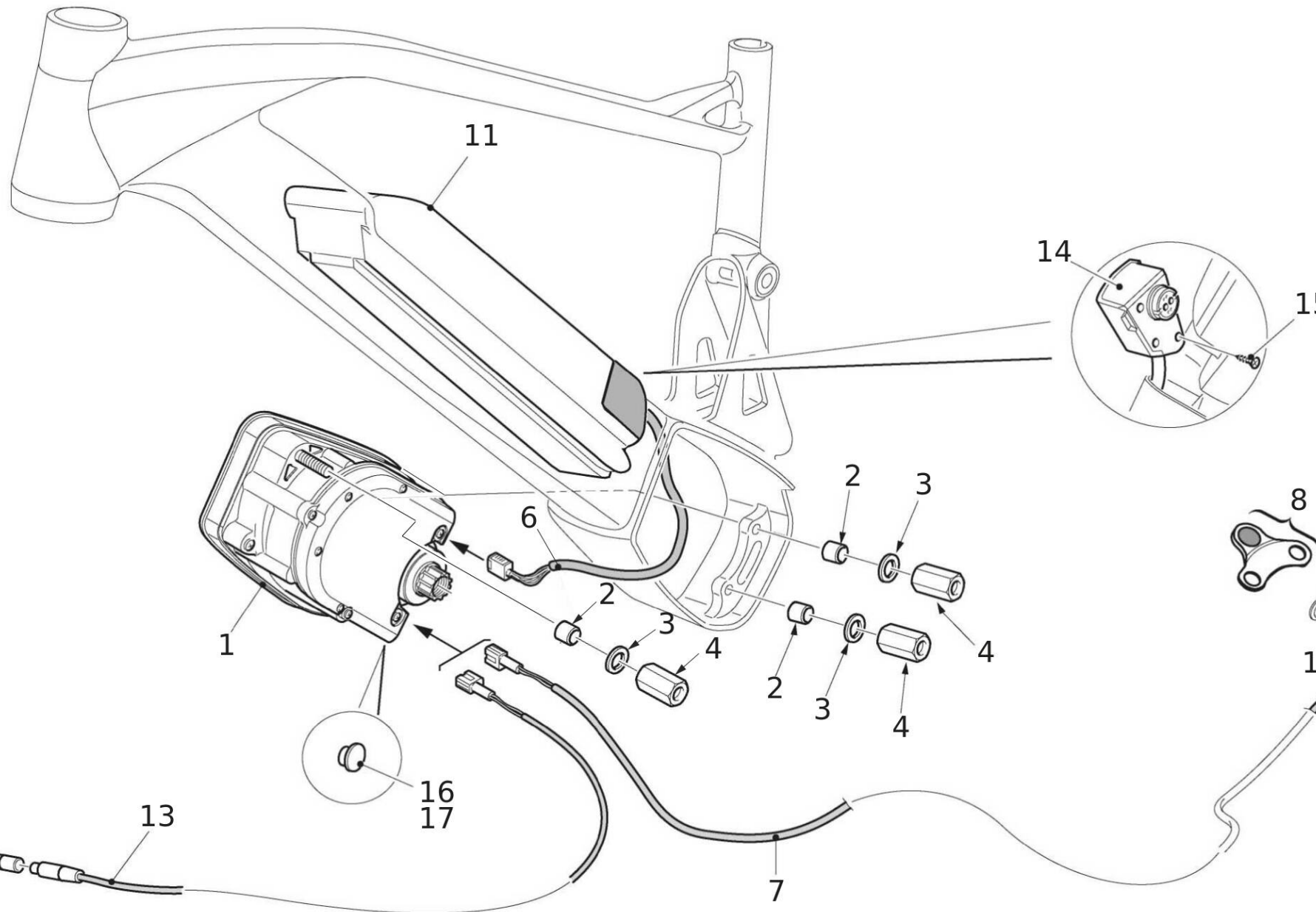
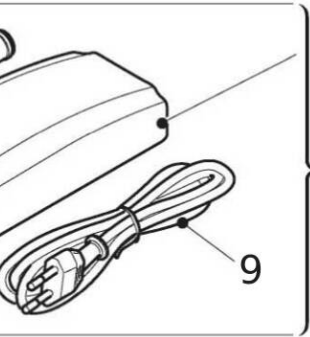
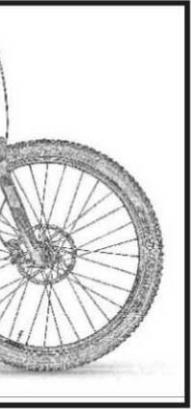
#	Code	Description	Specification	UM	Qty
1	B+FEN97-MB01000220	BILANCIERE-ANOD-ROSSO-XF1-ASS		pz	1
2	B0300021005	BATTICATENA-INTEGRA-MY20		pz	1
3	B-FP197-MB01000245	BEARING 26X10X8		pz	2
4	B+FER97-MB01A00155	SCREW		pz	2
5	B0100048005	SPACER		pz	2
6	B-FP197-MB01000175	STRUT SPACER 17		pz	8
7	B-FP197-MB01000255	BEARING 19X10X5		pz	8
8	B-FP197-MB01000185	STRUT BEARINGS SPACER 18a		pz	4
9	B-FP197-MB01030185	SEEGER JV19		pz	4
10	B1100037005	SCREW		pz	2
11	B-FP197-MB01000165	M6 ROD SCREW		pz	4
12	B-FP197-MB01020165	NUT STRUT M6		pz	4
13	B0100214005	SEATSTAY TRAIL MY21 ALU		pz	2
14	B0100314020	SWINGARM-TRAIL-MY22-ALU-ASS		pz	1
15	B+FEN97-MB01A00225	SCREW		pz	2
16	B+FEN97-MB01000345	BEARING		pz	4
17	B+FEN97-MB01000235	CYLINDER		pz	1
18	B-FP197-MB01020225	SPACER		pz	2
19	B0100084005	CALIPER SPACER 180mm		pz	1
20	B1100012005	SCREW		pz	2
21	B0100183005	PIN		pz	1
22	B1100088005	WASHER		pz	1
23	B0600024005	UNIVERSAL HANGER		pz	1
24	B+FEN97-MB01000375	GROMMET		pz	1
25	B0300029005	GUIDE		pz	1
26	B+FEN97-MB01000305	MUDGUARD		pz	1
27	B0100342005	GOMMINO-CARRO-POST-DOPPIO		pz	1
28	B1100004005	SCREW		pz	1
29	B1100070005	IGUS		pz	4
30	B1100046005	NUT		pz	1



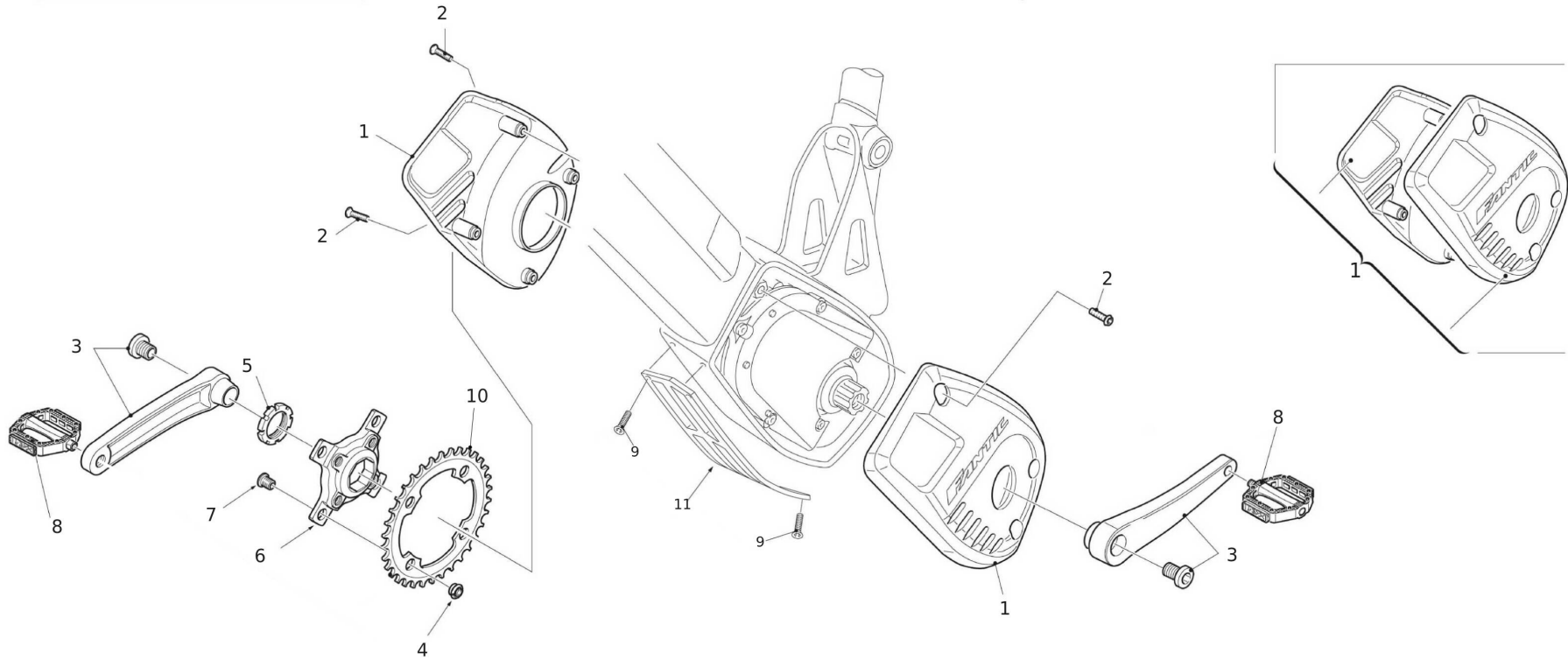
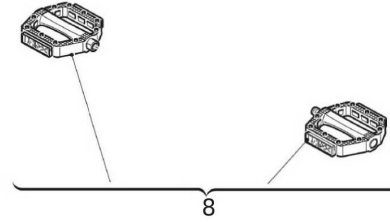
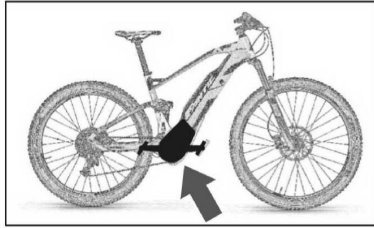
3 - Shock-absorbers (XTF 1.5 / XTF 1.5 SPORT - MY22)



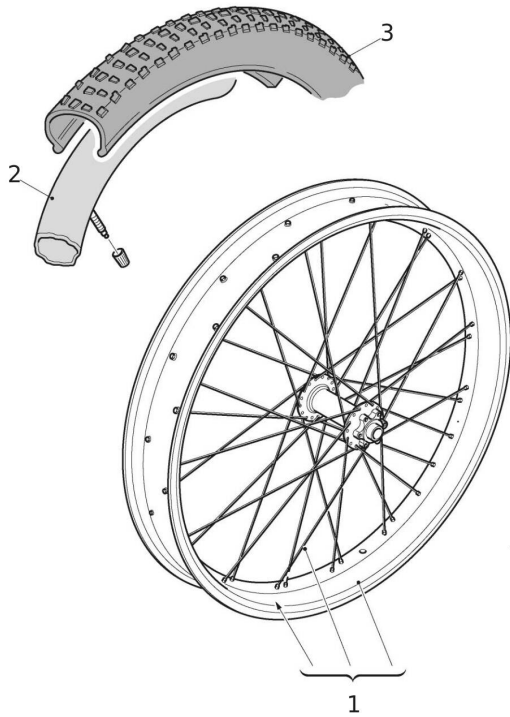
#	Code	Description	Specification	UM	Qty
1	B1300004005	SHOCK ABSORBER DELUXE SEL+ 205X57,5 TR	XTF 1.5 SPORT	pz	1
1	B1300026005	SHOCK ABSORBER	XTF 1.5	pz	1
2	B-FP197-MB01000145	SHOCK ABSORBER SCREW		pz	2
3	B-FP197-MB01000275	IGUS		pz	4
4	B-FP197-MB01000285	IGUS		pz	1
5	B+FER97-MB01B00145	SPACER		pz	2
6	B1300025005	FORK	XTF 1.5	pz	1
6	B1300028005	FORK	XTF 1.5 RACE	pz	1
7	B+F4097-MB01000005	PERNO-FORCELLA-MAXLE-LITE-F-15X110		pz	1
8	B1200018005	SCREW		pz	1
9	B1200019005	BUSHING		pz	1
10	B1200020005	NUT		pz	1



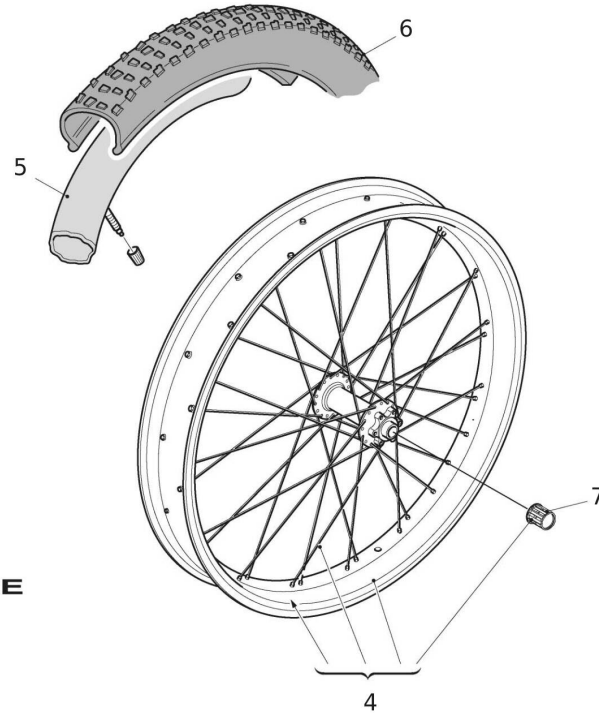
#	Code	Description	Specification	UM	Qty
1	B0200054005	BROSE MOTOR	32km/h per USA, CANADA...	pz	1
1	B0200055005	MOTOR	25km/h per EUROPA, UK,...	pz	1
2	B-FVU66-MB03000095	ENGINE FASTENING BUSHING		pz	3
3	B-FSP66-MB03000025	ZIGRATED WASHER SCHNORR 1,2mm		pz	3
4	B-FVU66-MB03000085	SPACER 12X23MM		pz	3
5	B+FEN97-MB02000035	CARICA-BATTERIA-SIMPLO-4A		pz	1
6	B0200073020	CABLE		pz	1
7	B0200127005	CABLE		pz	1
8	B0800058005	MAGNET SET		pz	1
9	B-FVU66-MB02000215	CABLE	Only EU plug	pz	1
9	B0200144005	CABLE	Only USA plug	pz	1
10	B1100032005	SCREW		pz	1
11	B+FEN97-MB02000025	INTEGRATED BATTERY 630WH		pz	1
12	B0200075005	DASHBOARD		pz	1
13	B+FC177-MB02000085	CABLE		pz	1
14	B+FEN97-MB01000125	COPRICONNETTORE-BATTERIA-INTEGRA-630WH		pz	1
15	B+F4097-MB01000015	VITE-AUTOFILETTANTE-TC-CROCE-2,9x16-INOX		pz	3
16	B+FC177-MB02000045	CAP		pz	2
17	B+FC177-MB02000055	CAP		pz	1
18	B+UME77-MB09000330	RONDELLA-M5X10		pz	1



#	Code	Description	Specification	UM	Qty
1	B+FEN97-MB01000065	SUMP		pz	1
2	B-FVU66-MB03000155	COLLAR SCREW 5X12 STAINLESS STEEL		pz	3
3	B+F4097-MB03000025	MIRANDA CRANK SET		pz	1
4	B-FVU66-MB03000175	CHAINRING NUT		pz	4
5	B-FVU66-MB02000025	SPIDER LOCK RING NUT		pz	1
6	B+MR177-MB03000015	SPIDER BOOST		pz	1
7	B-FVU66-MB03000035	CHAINRING SCREW		pz	4
8	B0900102005	KIT-PEDALI-MY22		pz	1
9	B1100095005	SCREW		pz	5
10	B0300002005	SPOCKET		pz	1
11	B+F8097-MB03000005	*es*PARACOPPA-INTEGRA-MOTORE-BROSE-S-NER		pz	1

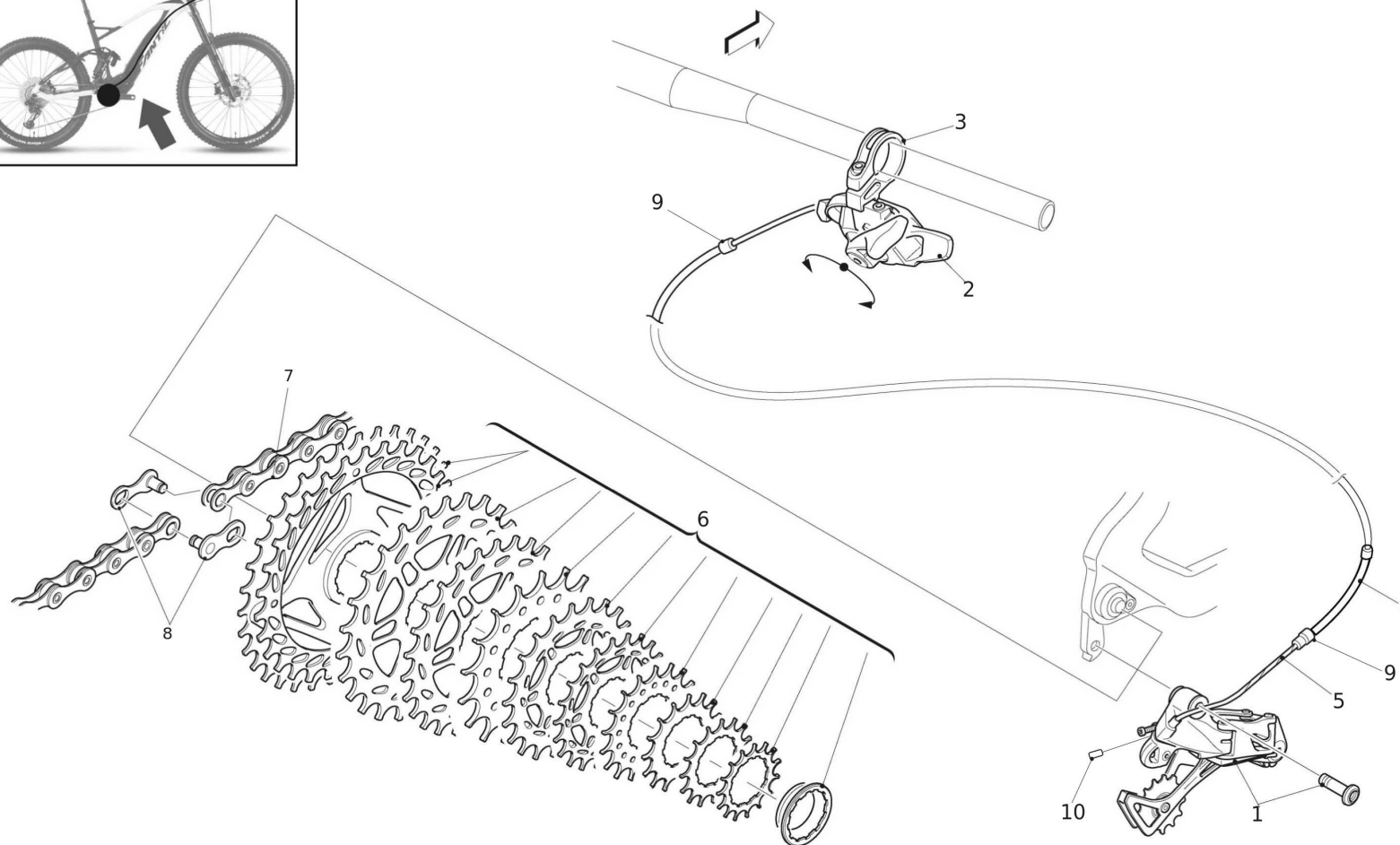


FRONT
ANTERIORE

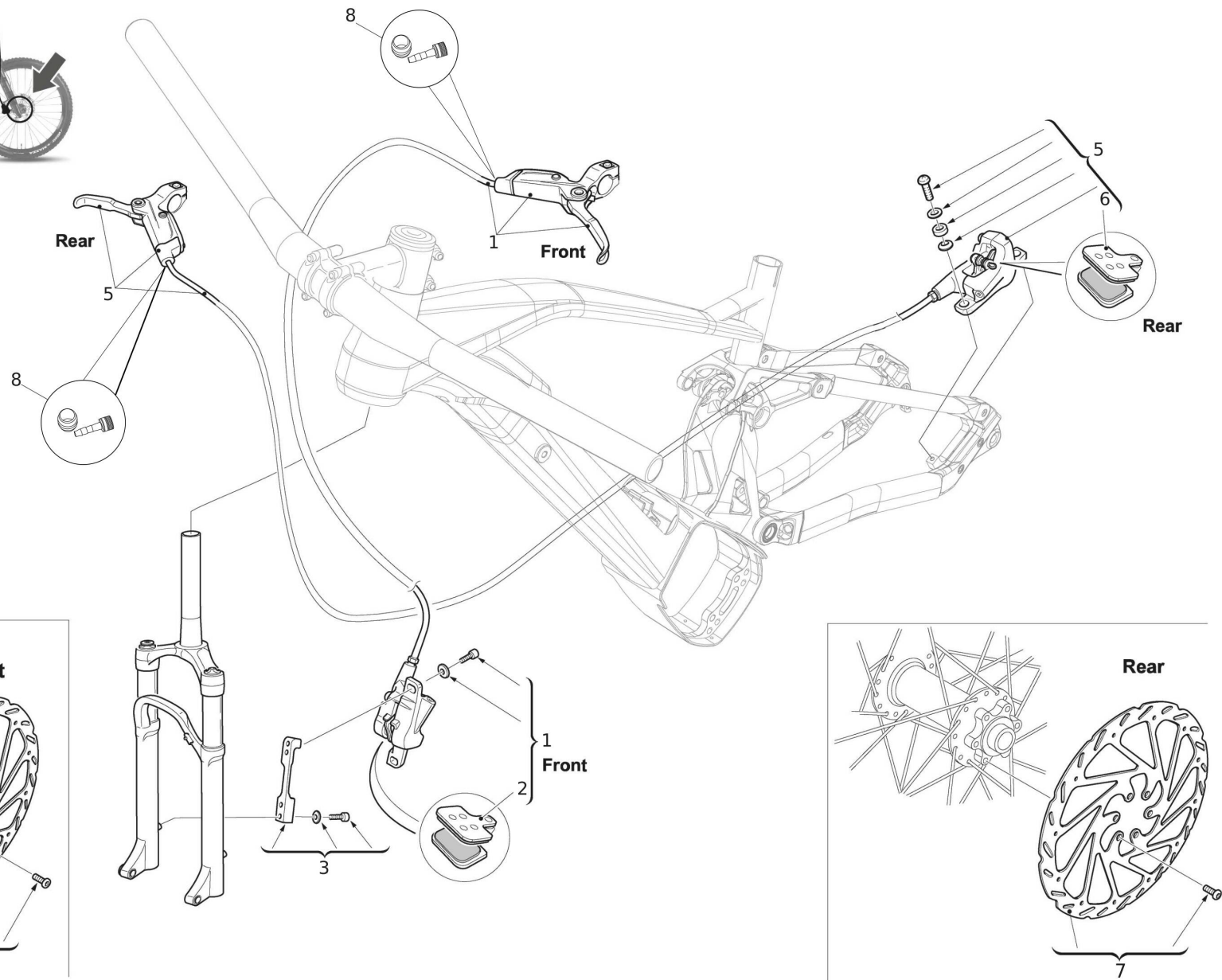


REAR
POSTERIORE

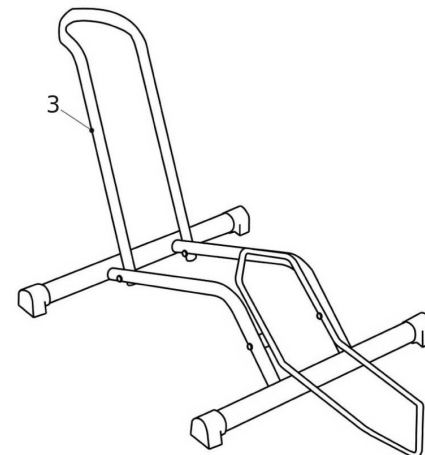
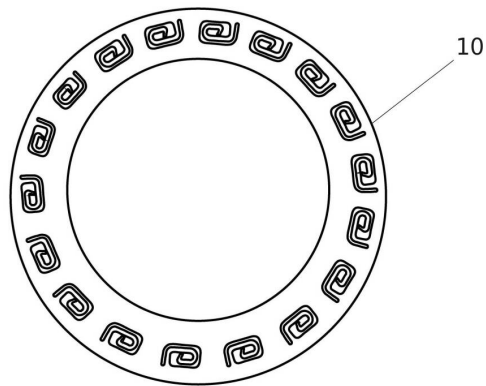
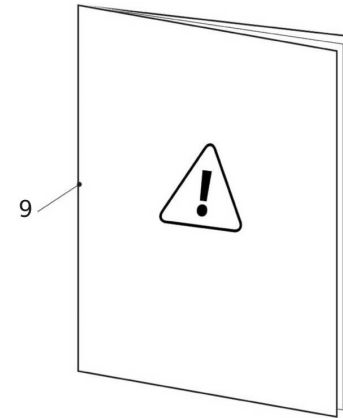
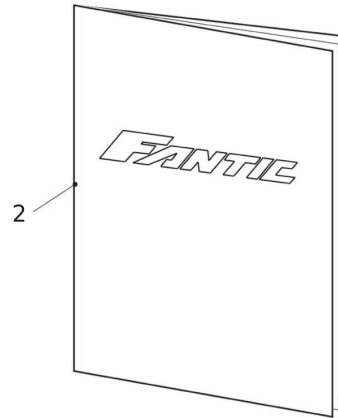
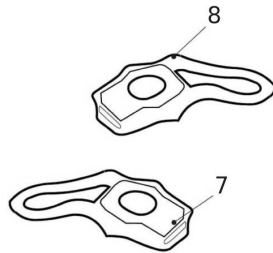
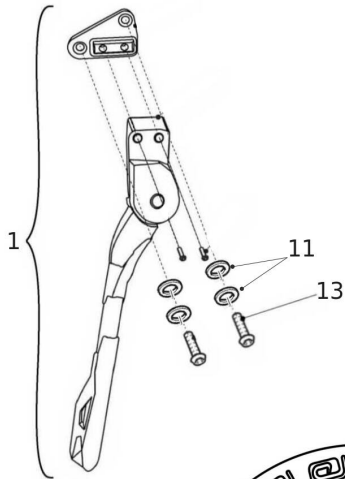
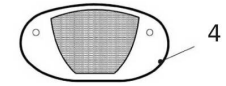
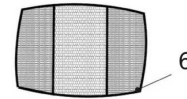
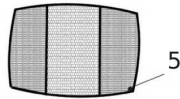
#	Code	Description	Specification	UM	Qty
1	B0400069005	WHEEL		pz	1
2	B0400098005	CAMERA-ARIA-PIRELLI-29"-2.4-2.6-FV48		pz	1
3	B0400064005	TYRE		pz	1
4	B0500070005	WHEEL		pz	1
5	B0400098005	CAMERA-ARIA-PIRELLI-29"-2.4-2.6-FV48		pz	1
6	B0500067005	TYRE		pz	1
7	B0500085005	FREEHUB		pz	1



#	Code	Description	Specification	UM	Qty
1	B+FEN97-MB06000065	GEAR	XTF 1.5 RACE	pz	1
1	B0600001005	GEAR	XTF 1.5	pz	1
2	B+FEN97-MB06000055	CONTROL	XTF 1.5	pz	1
2	B0600002005	CONTROL	XTF 1.5	pz	1
3	B0700013005	RING		pz	1
4	B+FEN97-MB09000015	GUAINA-CAMBIO-MT		cm	170
5	B-FVU66-MB06000085	GEAR CHANGE CABLE		pz	1
6	B0600003005	GEARS		pz	1
7	B0600004005	CHAIN		pz	1
8	B0600033005	JOINT		pz	1
9	B+FEN97-MB06000035	CAPOGUAINA-RESINA-NERO		pz	2
10	B1100002005	CAPICORDA		pz	1



#	Code	Description	Specification	UM	Qty
1	B+FEN97-MB08000055	FRONT BRAKE GUIDE T 900 20P MY19	XTF 1.5 SPORT	pz	1
1	B-FP197-MB08000015	FRONT BRAKE LEVEL 40P 950MM	XTF 1.5	pz	1
2	B+F4097-MB09000005	KIT-PASTIGLIE-FRENO-G2-GUIDE-TRAIL-SRAM	XTF 1.5 SPORT	pz	1
2	B-FVU66-MB08000095	KIT BRAKE PAD AVID	XTF 1.5	pz	1
3	B+F4097-MB08000015	SPACER	XTF 1.5 SPORT	pz	1
3	B-FVC66-MB08000015	SPACER	XTF 1.5	pz	1
4	B+FC177-MB08000015	BRAKE DISC 200 MM		pz	1
5	B+FTR97-MB08000095	FRENO-POST-LEVEL-1800-DIR-MY19	XTF 1.5	pz	1
5	B0800062005	REAR BRAKE GUIDE T 1800MM DIR	XTF 1.5 SPORT	pz	1
6	B+F4097-MB09000005	KIT-PASTIGLIE-FRENO-G2-GUIDE-TRAIL-SRAM	XTF 1.5 SPORT	pz	1
6	B-FVU66-MB08000095	KIT BRAKE PAD AVID	XTF 1.5	pz	1
7	B+FC177-MB08000025	BRAKE DISC 180MM		pz	1
8	B+FEN97-MB08000035	OGIVA-VITE-AD-LUN-TUBI-FRENO-CAVI-INT-ES		pz	1



#	Code	Description	Specification	UM	Qty
1	B0900026005	KIT-ADATT-CAVALLETTO-BICI-FULL		pz	1
2	B0900107005	LIBRETTO-USO-MANUTENZIONE-XTF-ALU-MY22		pz	1
3	B-MP097-MB09000015	REGGICICLO-SMONTABILE-MTB-ROAD-STABILUS		pz	1
4	B0900006005	CATADIOTTRO-RUOTA-GIALLO		pz	4
5	B0900004005	CATADIOTTRO-ANTERIORE-BIANCO		pz	1
6	B0900005005	CATADIOTTRO-POSTERIORE-ROSSO		pz	1
7	B0900007005	FANALE-ANTERIORE-GOMMA-PILA		pz	1
8	B0900008005	FANALE-POSTERIORE-GOMMA-PILA		pz	1
9	B0900098005	LIBRETTO-AVVERTENZE-E-BIKE-21-INTERNAZ		pz	1
10	B0900020005	DISC		pz	1
11	B1100116005	RONDELLA-ZIGRINATA-SCHNORR-M6-INOX		pz	4
12	B1100015005	SCREW		pz	2