



Spare parts catalogue  
**FAT INTEGRA MY21**

# Index

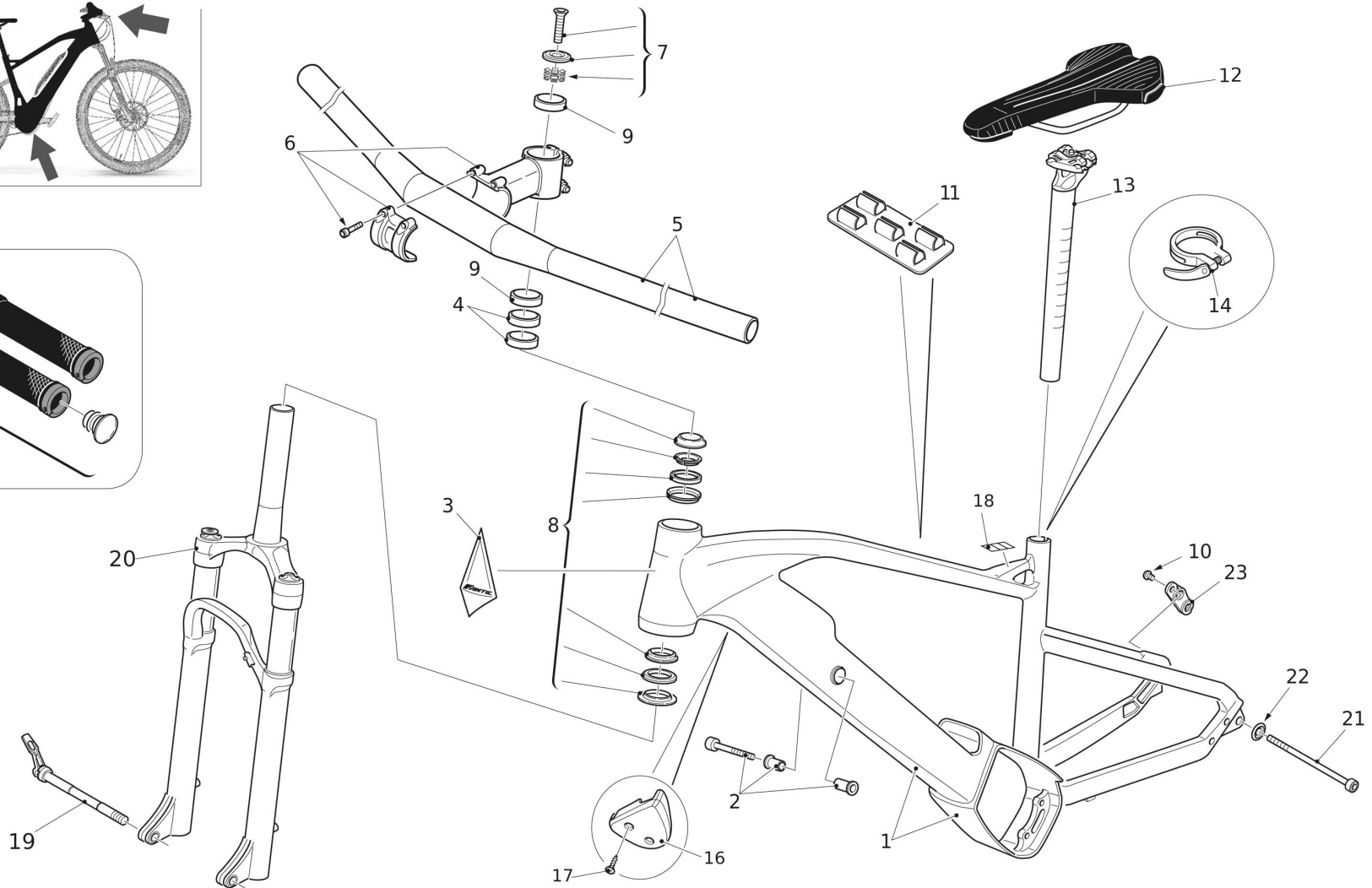
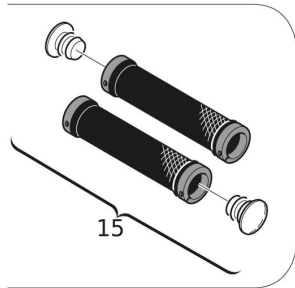
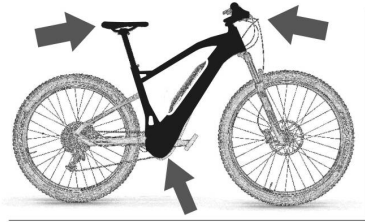
.....	3
<b>Frame / Handlebar / Seat (FAT INTEGRA MY21)</b> .....	5
<b>Motor / Battery / Dash board (FAT INTEGRA MY21)</b> .....	7
<b>Bottom bracket group (FAT INTEGRA MY21)</b> .....	9
<b>Wheels (FAT INTEGRA MY21)</b> .....	11
<b>Gear swift (FAT INTEGRA MY21)</b> .....	13
.....	15
<b>Accessories (FAT INTEGRA MY21)</b> .....	17
<b>100 - Suggested Spare Parts E-Bike</b> .....	19



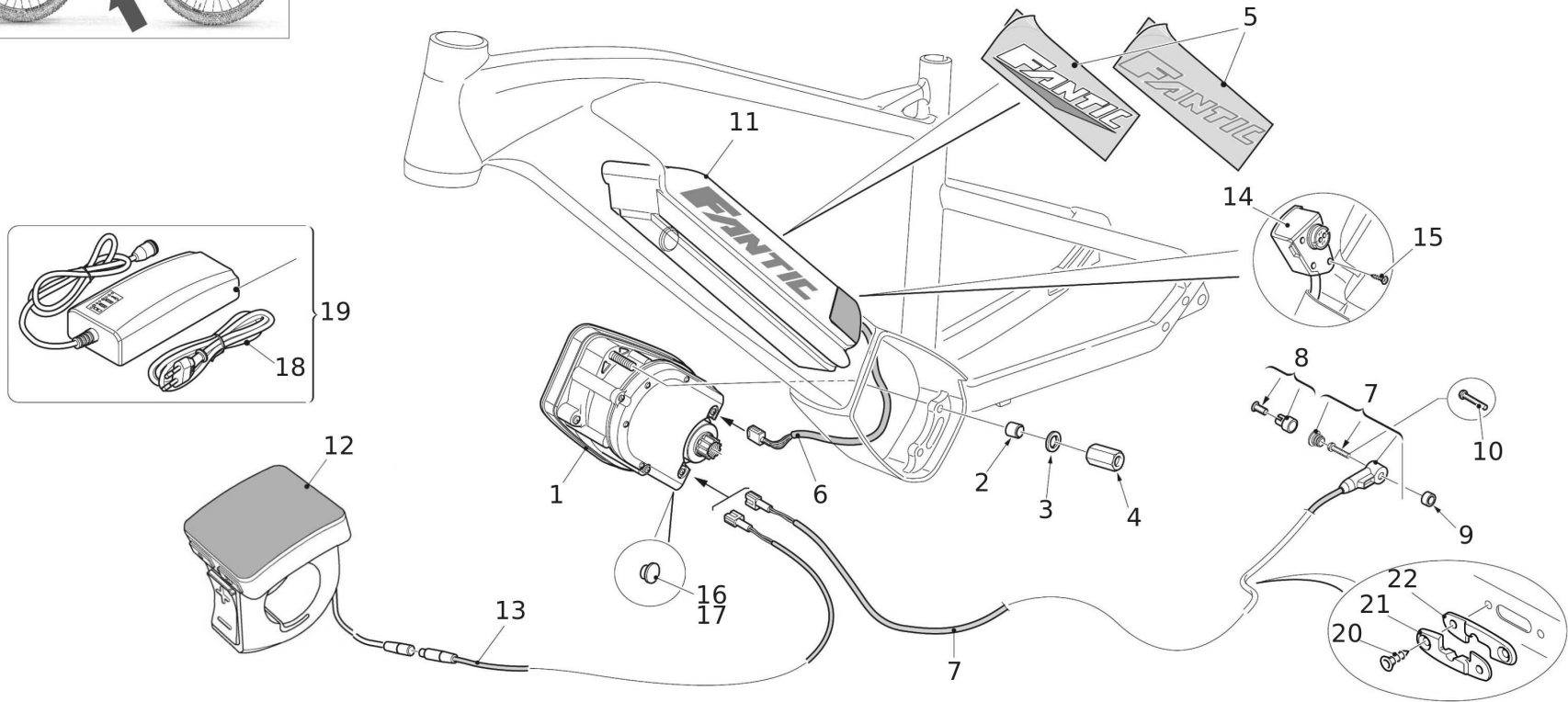
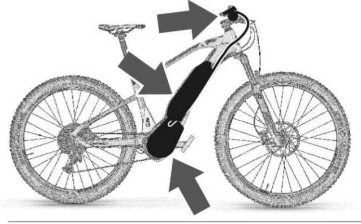
**FAT INTEGRA**  
Yellow

#	Code	Description	Specification	UM	Qty
---	------	-------------	---------------	----	-----



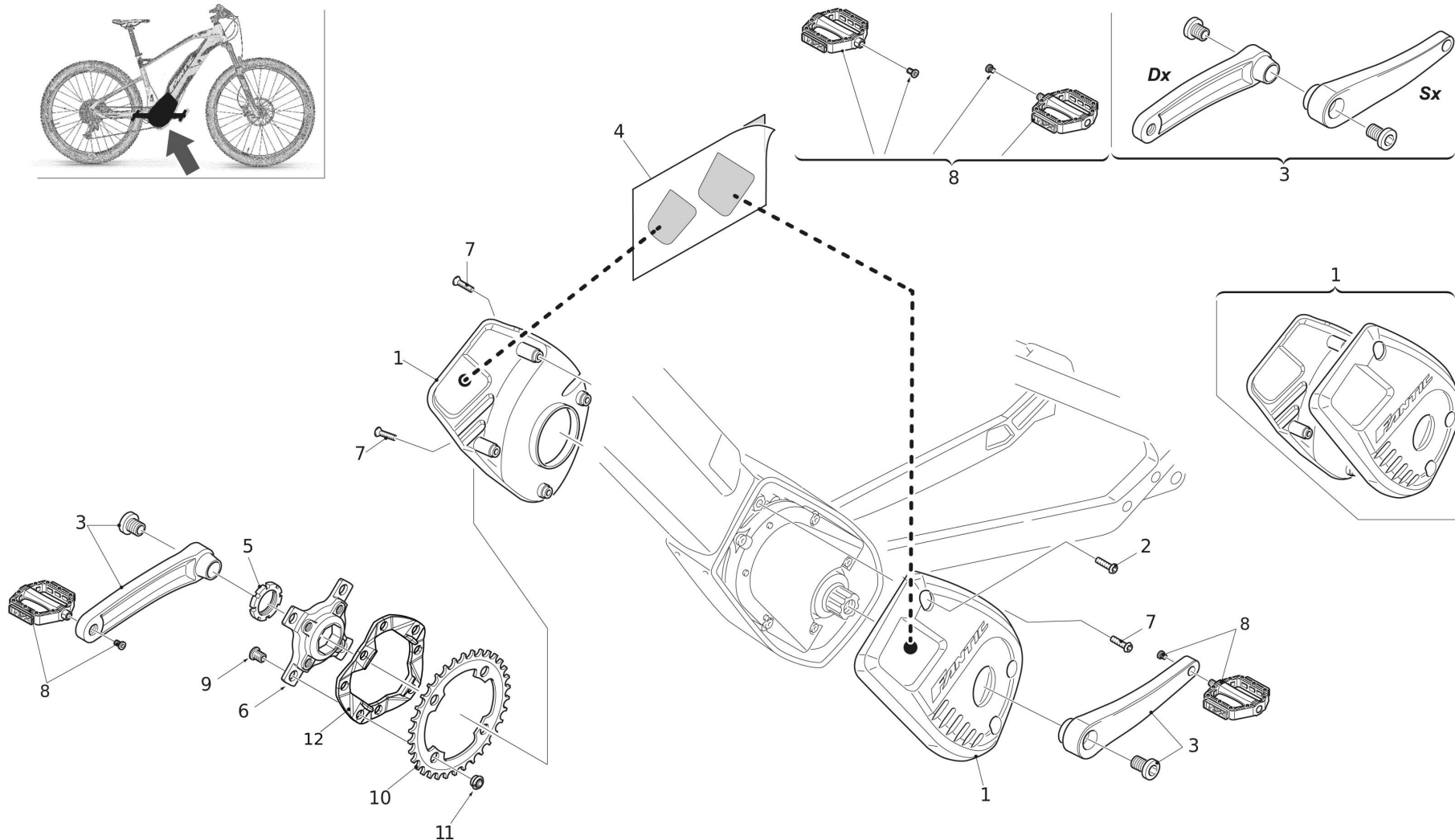
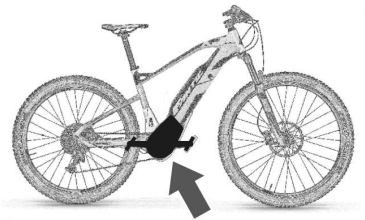


#	Code	Description	Specification	UM	Qty
1	B-FSI66-LB01000015	FAT SPORT INTEGRA FRAME L		pz	1
1	B-FSI66-MB01000015	FAT SPORT INTEGRA FRAME M		pz	1
1	B-FSI66-SB01000015	FAT SPORT INTEGRA FRAME S		pz	1
2	B+FEN97-MB01000405			pz	1
3	B+F8097-MB10000005	ADHESIVE		pz	1
4	B-FVU66-MB0700035	HEADSET SPACER 1' 1/8		pz	2
5	B0700135005			pz	1
6	B0700134005			pz	1
7	B-FVU66-MB01000095	STEERER SPIDER		pz	1
8	B-GGT88-MB01000035	HEADSET 1 1/8 1 1/5		pz	1
9	B+F8097-MB07000005	SPACER		pz	2
10	B-FVU66-MB01000135	RD Hanger bolt		pz	1
11	B+FEN97-MB01000145	Integra internal DT cables clamp		pz	4
12	B0700045005	SADDLE		pz	1
13	B0700088005	SEATPOST	Fixed	pz	1
14	B-FCA77-MB07000015	CLAMP FANTIC		pz	1
15	B+FEN97-MB07000025	FANTIC GRIP		pz	1
16	B+FEN97-MB01000135	INTEGRA EXTERNAL DT FAIRLEADS		pz	1
17	B+FEN97-MB01000185	SCREW		pz	2
18	B1000028005	ADHESIVE		pz	1
19	B1300014005	PIN		pz	1
20	B1300039005	FORK		pz	1
21	B-FSI66-MB01000105	PIN		pz	1
22	B1100088005	WASHER		pz	1
23	B0100337005	HANGER		pz	1

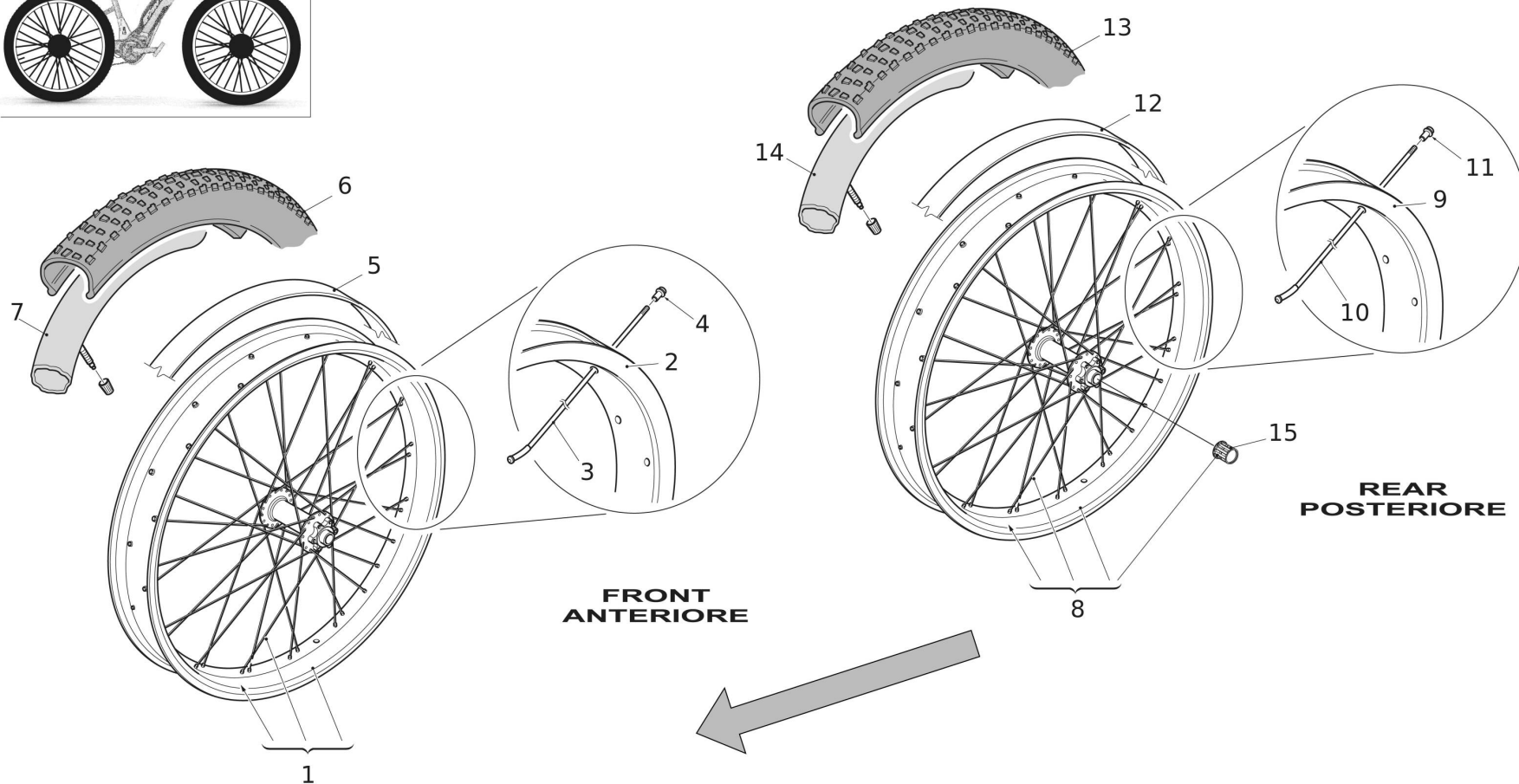


#	Code	Description	Specification	UM	Qty
1	B+FEN97-MB02000085	BROSE MOTOR 250W 36V S2 S4 25KMH	25km/h per EUROPA, UK,...	pz	1
1	B0200088005	MOTOR	32km/h per USA, CANADA...	pz	1
2	B-FVU66-MB03000095			pz	3
3	B-FSP66-MB03000025			pz	3
4	B-FVU66-MB03000085	SPACER 12X23MM		pz	3
5	B+FEN97-MB01000095	BATTERY.STICKER KIT WHITE INTEGRA		pz	1
6	B+FC177-MB02000065	CABLE MOTOR BATTERY INTEGRA		pz	1
7	B-FVU66-MB02000095	SENSOR		pz	1
8	B-FVU66-MB02000105	MAGNET		pz	1
9	B0100074005	SPACER		pz	1
10	B1100028005	SCREW		pz	1
11	B+FEN97-MB02000025	INTEGRATED BATTERY 630WH		pz	1
12	B0200075005		S4	pz	1
13	B+FC177-MB02000085		S1 - S3 - S4	pz	1
14	B+FEN97-MB01000125	CONNECTOR COVER		pz	1
15	B+F4097-MB01000015	SCREW		pz	3
16	B+FC177-MB02000045			pz	2
17	B+FC177-MB02000055	CAP		pz	1
18	B-FVU66-MB02000215			pz	1
19	B+FEN97-MB02000035	CHARGER INTEGRA 4A		pz	1
20	B+FEN97-MB01000185	SCREW		pz	2
21	B-FVU66-MB01000065	FAIRLEAD		pz	1
22	B-FVU66-MB01000235	FAIRLEAD		pz	1

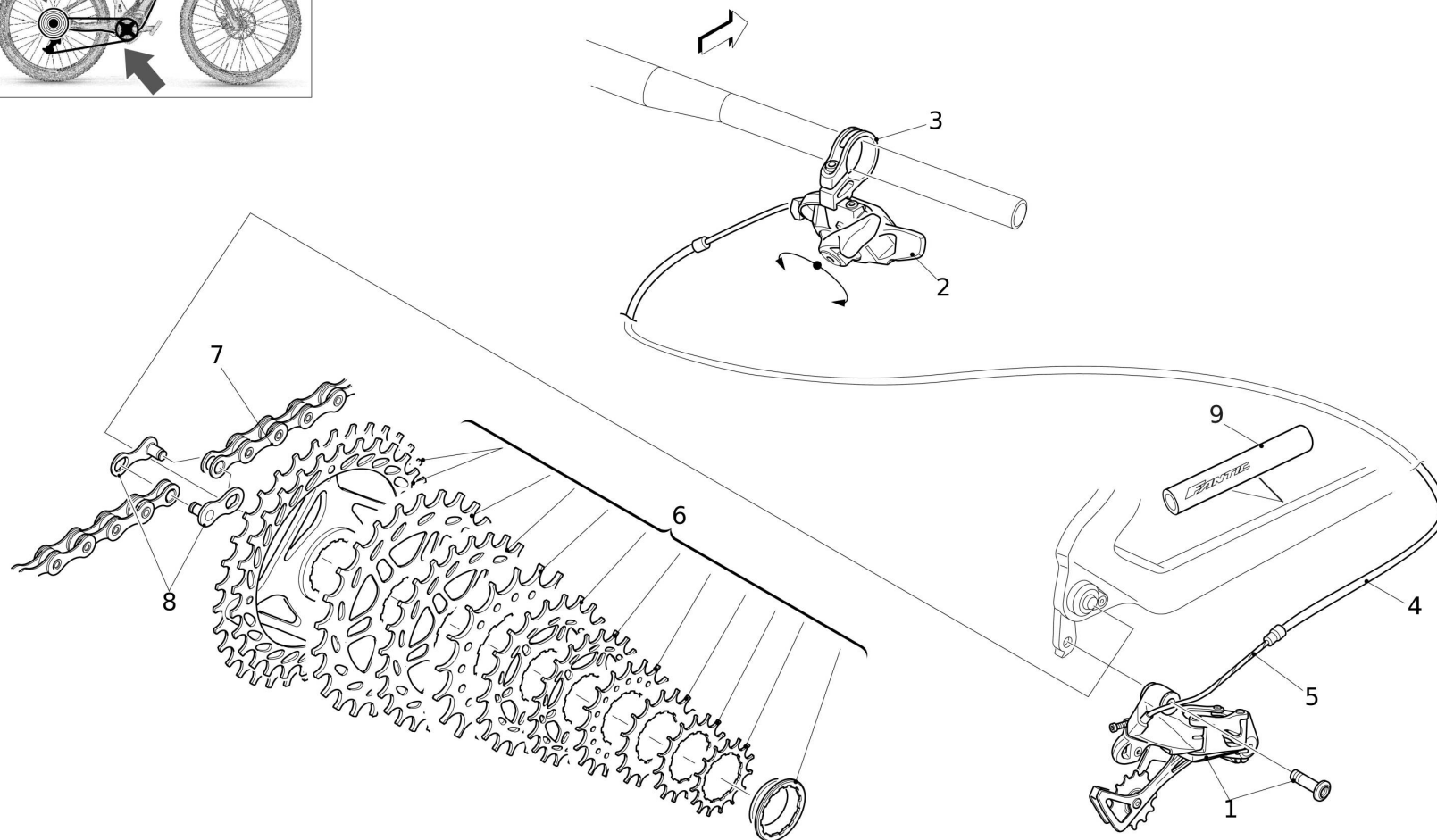
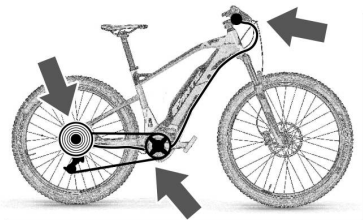




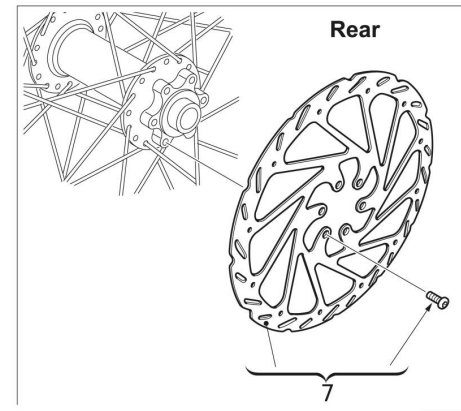
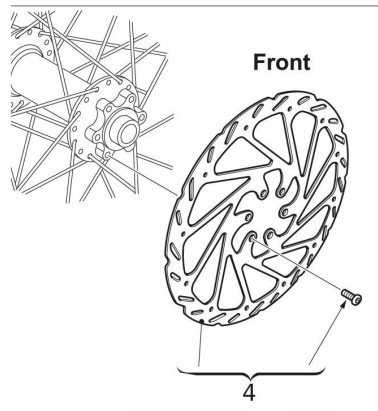
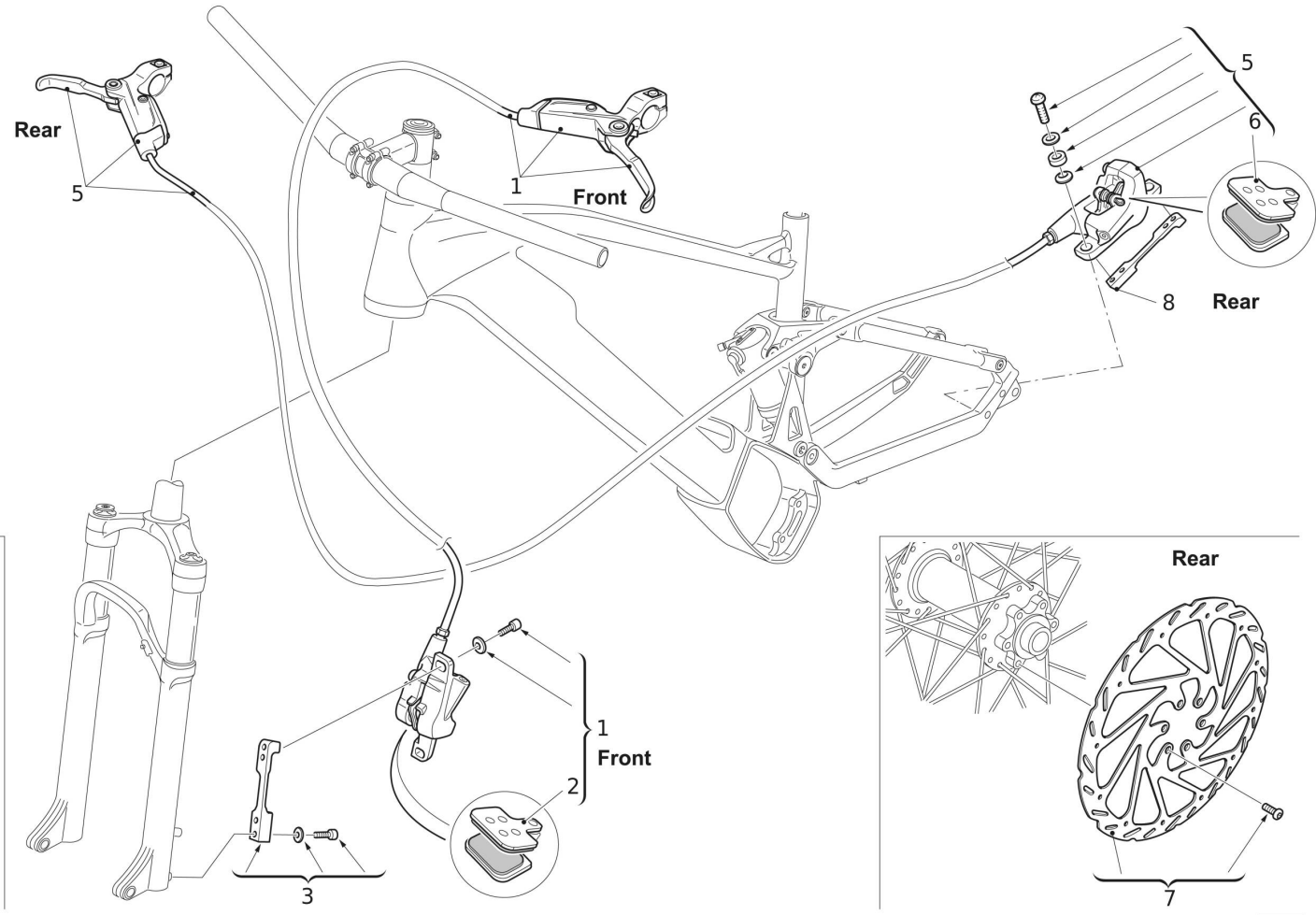
#	Code	Description	Specification	UM	Qty
1	B+FEN97-MB01000065	SUMP		pz	1
2	B-FVU66-MB03000155	COLLAR SCREW 5X12 STAINLESS STEEL		pz	3
3	B0300031005	CRANKS		pz	1
4	B+FIR97-MB01000025	ADHESIVE SET	YELLOW	pz	1
5	B-FVU66-MB02000025			pz	1
6	B+MR177-MB03000015	SPIDER BOOST		pz	1
7	B1100018005	SCREW		pz	4
8	B-FSP66-MB09000045	PEDALS		pz	1
9	B-FVU66-MB03000035	CHAINRING SCREW		pz	8
10	B0300002005			pz	1
11	B-FVU66-MB03000175			pz	8
12	B+FSI66-MB03000015	FAT RING GEAR SPIDER SPACER		pz	1



#	Code	Description	Specification	UM	Qty
1	B-FSP66-MB04000085	FRONT WHEEL FAT 150MM		pz	1
2	B0400029005	RIM		pz	1
3	B0400030005	SPOKE		pz	32
4	B0400031005	NIPPLES		pz	32
5	B-FVU66-MB04000145	FLAP FAT GREY		pz	1
6	B-FSI66-MB04000025	TYRE		pz	1
7	B-FVU66-MB04000075	TUBE FAT		pz	1
8	B-FSP66-MB05000085	REAR WHEEL FAT 197mm		pz	1
9	B0400029005	RIM		pz	1
10	B0400030005	SPOKE		pz	32
11	B0400031005	NIPPLES		pz	32
12	B-FVU66-MB04000145	FLAP FAT GREY		pz	1
13	B-FSI66-MB04000025	TYRE		pz	1
14	B-FVU66-MB04000075	TUBE FAT		pz	1

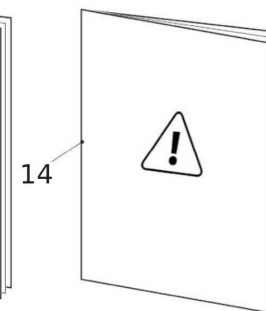
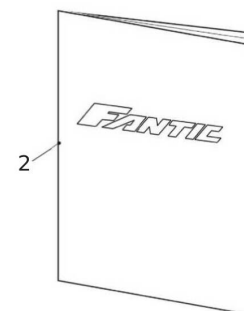
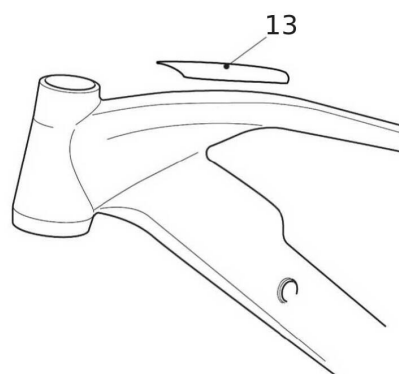
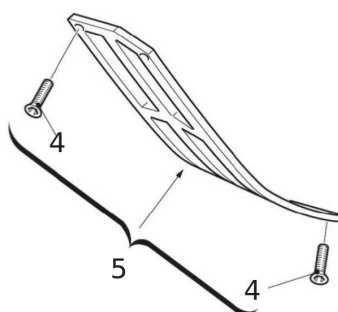
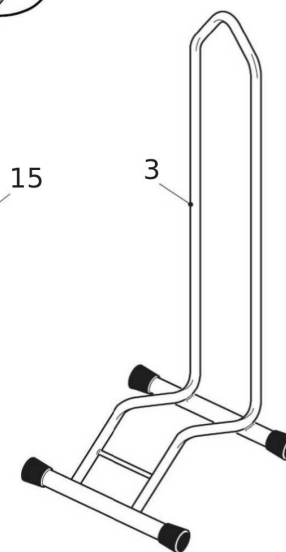
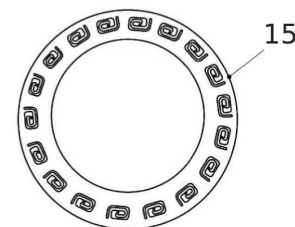
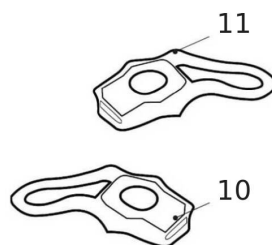
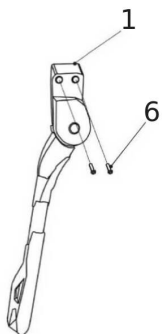
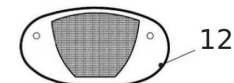
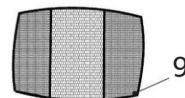
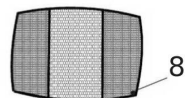


#	Code	Description	Specification	UM	Qty
1	B0600001005	GEAR		pz	1
2	B0600002005	CONTROL		pz	1
3	B-FCA77-MB07000015	CLAMP FANTIC		pz	1
4	B+FEN97-MB09000015			cm	170
5	B+FEN97-MB06000025	FILO-CAMBIO-INOX-L2250		pz	1
6	B0600003005	GEARS		pz	1
7	B0600023005	CHAIN		pz	1
8	B0600033005			pz	1
9	B+F4097-MB09000025	NEOPRENE CHAIN GUARD		pz	1

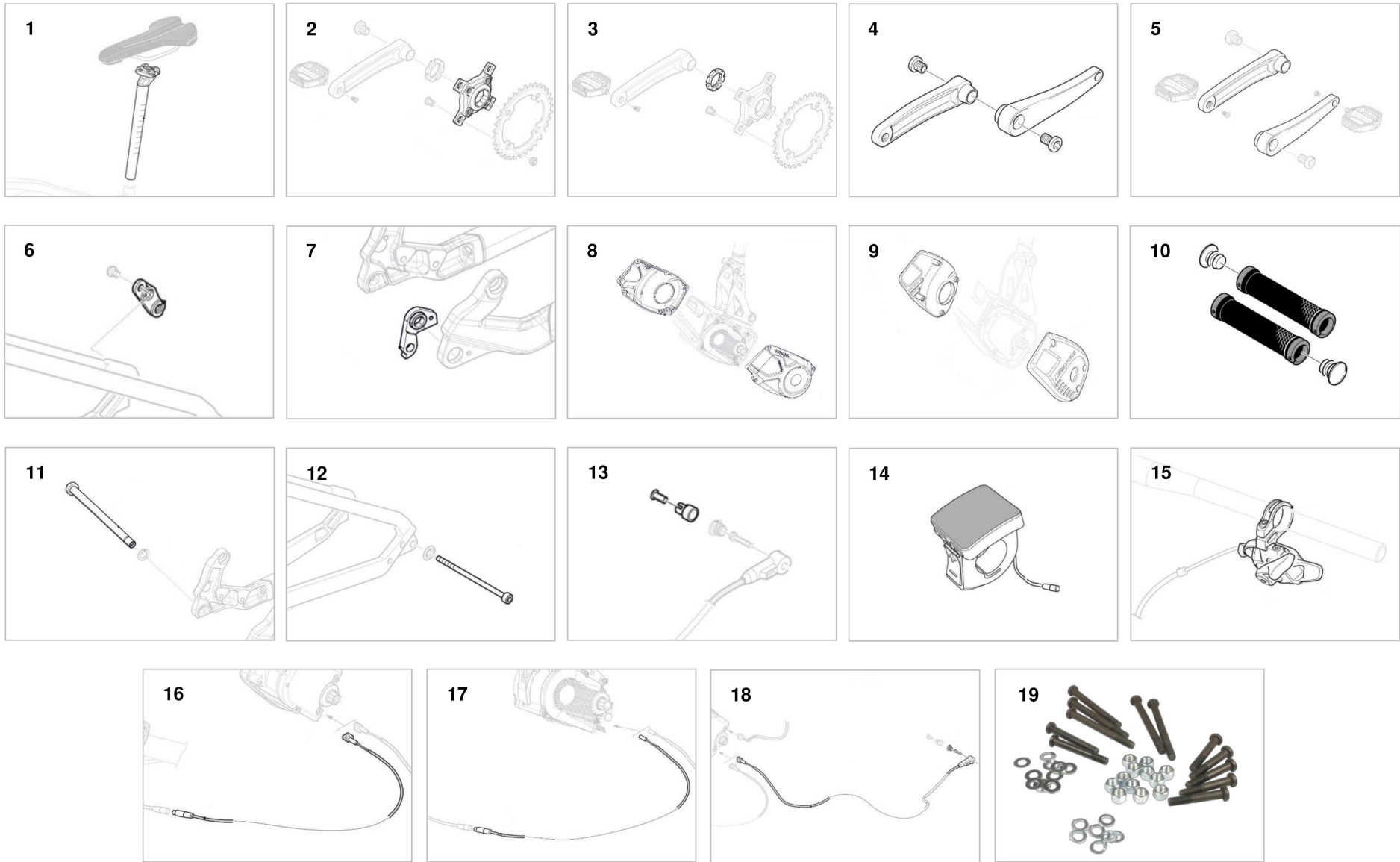


#	Code	Description	Specification	UM	Qty
1	B-FP197-MB08000015			pz	1
2	B-FVU66-MB08000095			pz	1
3	B-FVC66-MB08000015			pz	1
4	B-FVU66-MB08000045	BRAKE DISC 200 MM		pz	1
5	B-FP197-MB08000025	REAR BRAKE LEVEL 20P 1800MM		pz	1
6	B-FVU66-MB08000095			pz	1
7	B-FVU66-MB08000085	BRAKE DISC 180MM CLEANSWEEP		pz	1
8	B+F4097-MB08000015			pz	1





#	Code	Description	Specification	UM	Qty
1	B-FVU66-MB09000035	SIDE STAND		pz	1
2	B0900089005	USER MANUAL XF2 FAT LIV MY21		pz	1
3	B-FSP66-MB09000015	FAT-BIKE STAND		pz	1
4	B1100003005	SCREW		pz	3
5	B1200001020	BASH GUARD		pz	1
5	B1200002020	CARBON FIBER BASH GUARD	Carbon Fibre CARBON	pz	1
6	B-FVU66-MB09000135	SCREW		pz	2
7	B1100003005	SCREW		pz	5
8	B0900004005			pz	1
9	B0900005005	CATADIOTTRO-POSTERIORE-ROSSO		pz	1
10	B0900007005			pz	1
11	B0900008005			pz	1
12	B0900006005	CATADIOTTRO-RUOTA-GIALLO		pz	4
13	B1000018005	CRYSTAL FRAME STICKER		pz	1
14	B0900098005	LIBRETTO-AVVERTENZE-E-BIKE-21-INTERNAZ		pz	1
15	B0900020005	DISC		pz	1



#	Code	Description	Specification	UM	Qty
1	B0700088005	SEATPOST	FIXED	pz	1
2	B+MR177-MB03000015	SPIDER BOOST		pz	1
3	B-FVU66-MB02000025			pz	1
4	B0300031005	CRANKS		pz	1
9	B+FEN97-MB01000065	SUMP		pz	1
10	B+FEN97-MB07000025	FANTIC GRIP		pz	1
14	B0200075005			pz	1
15	B0600002005	CONTROL		pz	1
16	B+FC177-MB02000085			pz	1
18	B-FVU66-MB02000095	SENSOR		pz	1
19	09227020	KIT MINUTERIE MTB		pz	1