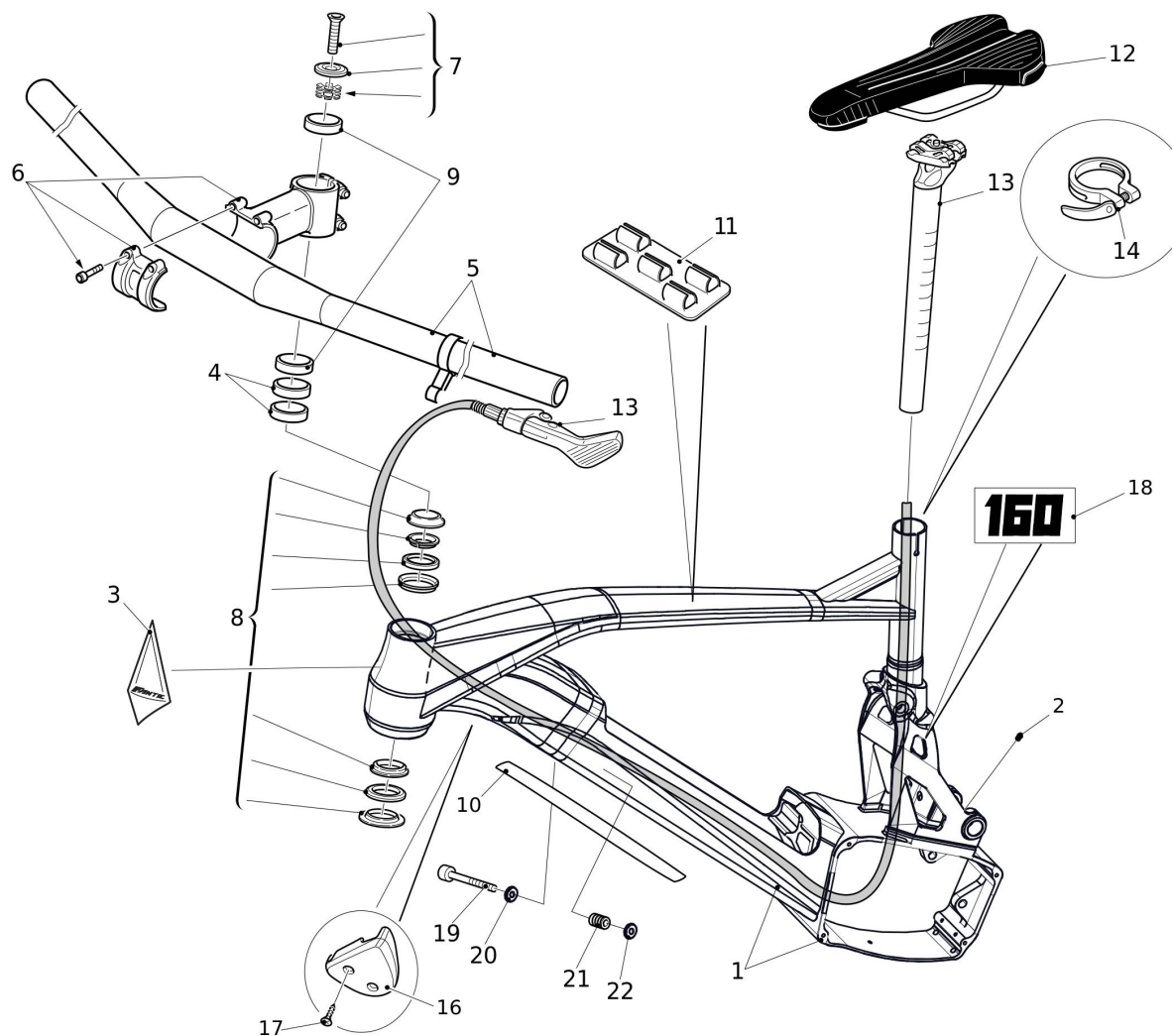
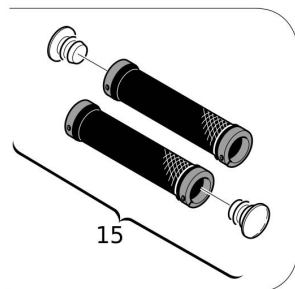
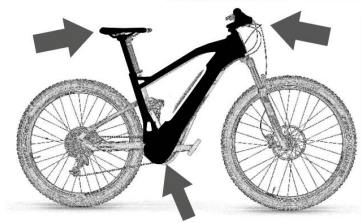




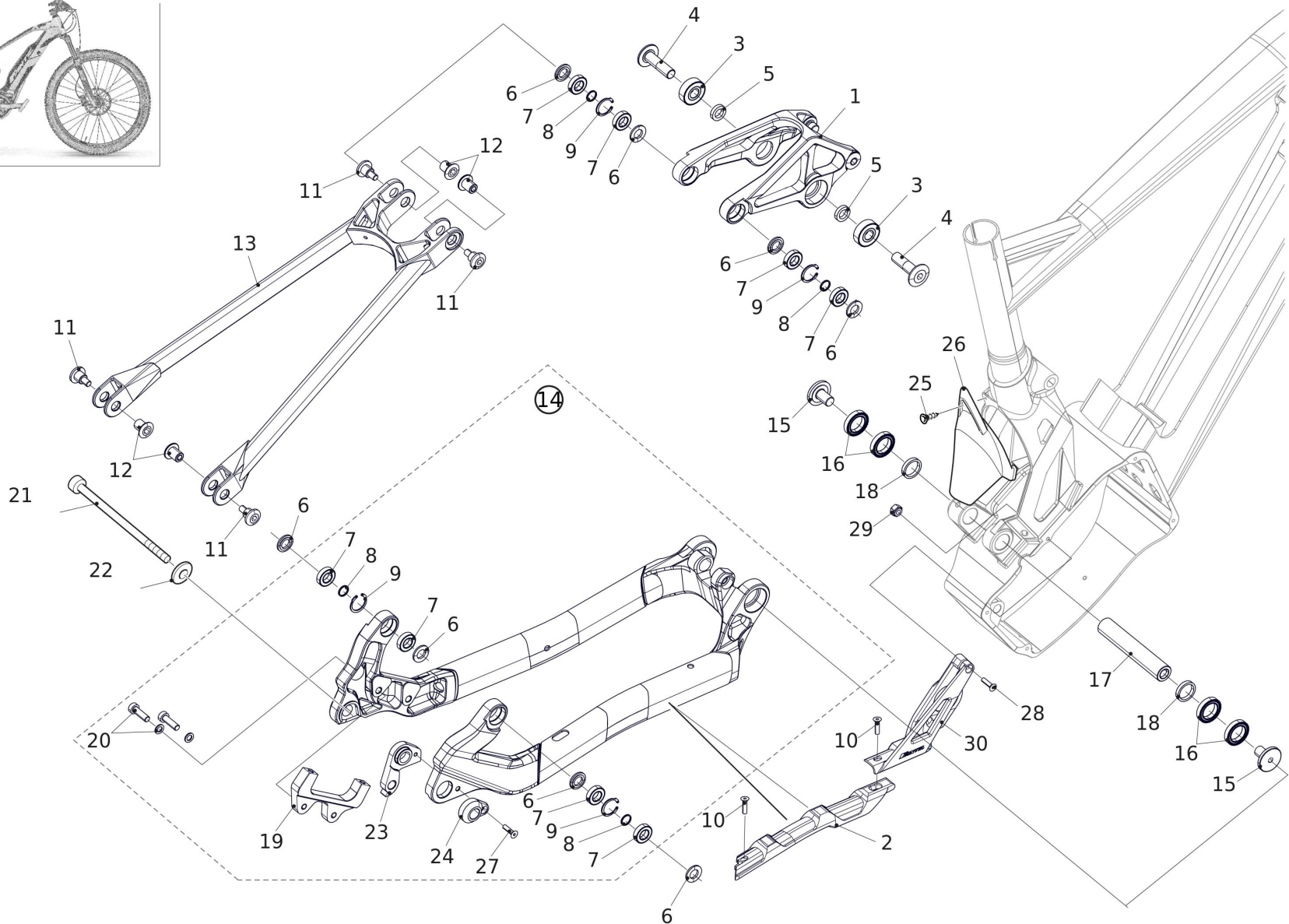
Spare parts catalogue
XF1 ENDURO CARBON RACE 160 MY20

Index

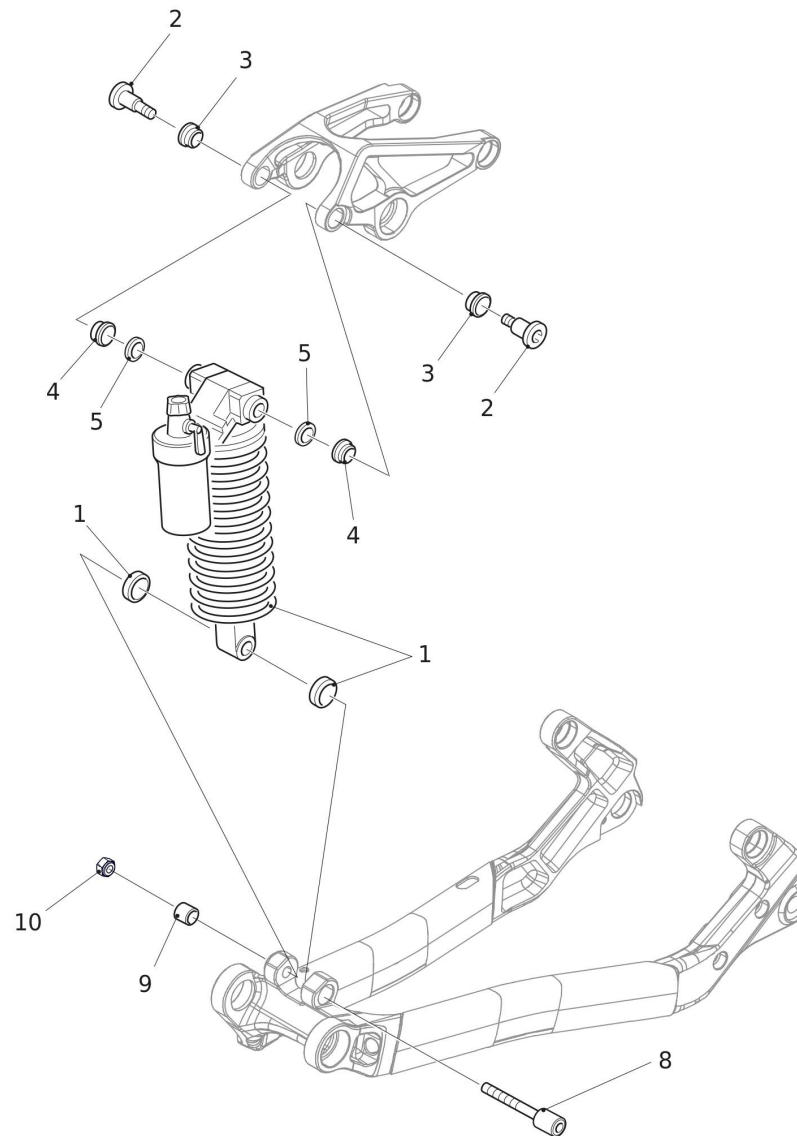
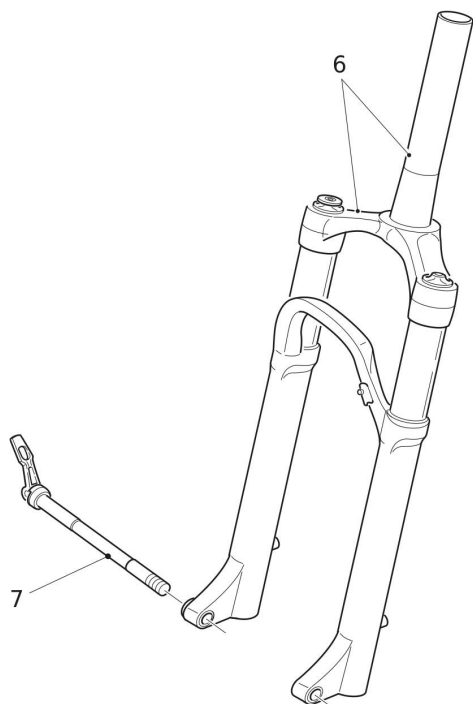
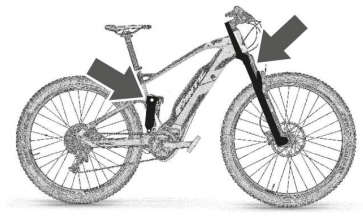
frame / handlebar / seat (XF1 ENDURO CARBON RACE 160 MY20)	3
rear swing fork (XF1 ENDURO CARBON RACE 160 MY20)	5
shock-absorbers (XF1 ENDURO CARBON RACE 160 MY20)	7
motor / battery / dash board (XF1 ENDURO CARBON RACE 160 MY20)	9
bottom bracket group (XF1 ENDURO CARBON RACE 160 MY20)	11
wheels (XF1 ENDURO CARBON RACE 160 MY20)	13
gear swift (XF1 ENDURO CARBON RACE 160 MY20)	15
brakes (XF1 ENDURO CARBON RACE 160 MY20)	17
optional accessories (XF1 ENDURO CARBON RACE 160 MY20)	19



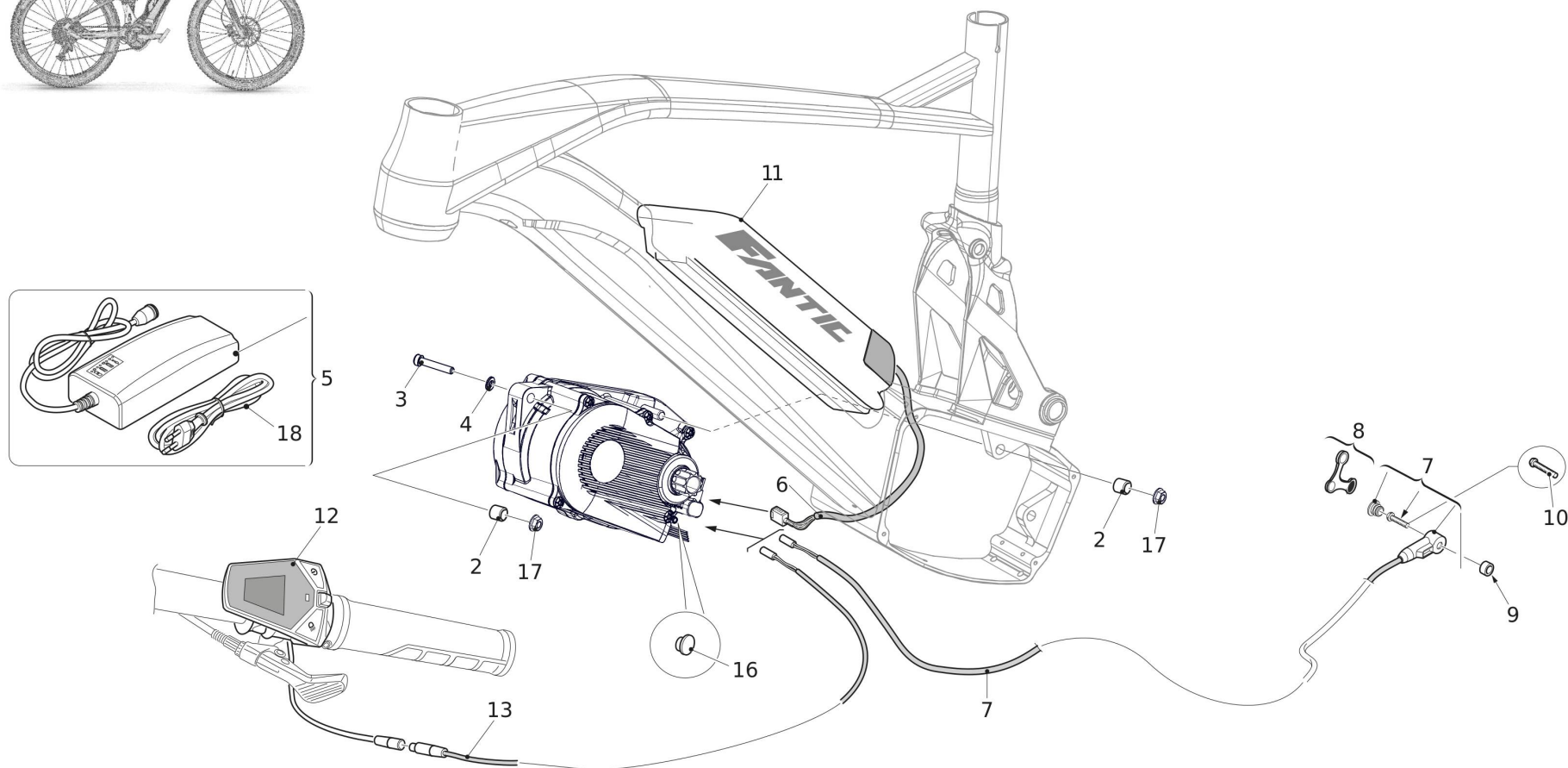
#	Code	Description	Specification	UM	Qty
1	B0100094L20	TRIANGOLO-ANTERIORE-CARBON-MY20-L	L	pz	1
1	B0100094S20	TRIANGOLO-ANTERIORE-CARBON-MY20-S	S	pz	1
2	B1200050005	GRANO-M5X0,8-L5MM-ISO4029-A2		pz	1
3	B+F8097-MB10000005	ADESIVO-FRONTALE-ALLUMINIO-INTEGRA		pz	1
4	B-FVU66-MB0700035	HEADSET SPACER 1' 1/8		pz	2
5	B+FEN97-MB07000035	HANDLEBAR GRID 760MM 20-35mm		pz	1
6	B+FEN97-MB07000045	STEM GRID 50MM		pz	1
7	B-FVU66-MB01000095	STEERER SPIDER		pz	1
8	B0100075005	SERIE-STERZO-NO57-HBS-156GRADI-BLOCC		pz	1
9	B+F8097-MB07000005	DISTANZIALE-MANUBRIO-1/8-5MM-ROSSO		pz	2
10	B1000014005	ADESIVO-PROTEZIONE-DT		pz	1
11	B+FEN97-MB01000145	BLOCCACAVI-INTEGRA-INTERNO-DT		pz	4
12	B0700007005	SELLA-ITALIA-XLR-SUPERFLOW		pz	1
13	B+FCA97-MB07000015	REGGISELLA-TELES-30,9-125mm-CAVO-INT	L	pz	1
13	B+FCA97-SB07000015	REGGISELLA-TELES-30,9-100mm-CAVO-INT	M-S	pz	1
14	B0700013005	COLLARINO-MX37RT-ANOD-ROSSO-35MM-FANTIC		pz	1
15	B+FEN97-MB07000025	FANTIC GRIP		pz	1
16	B+FEN97-MB01000135	PASSACAVI-INTEGRA-ESTERNO-DT		pz	1
17	B+FEN97-MB01000185	VITE-AUTOFILET-TSP-3,5x25-IM.CROCE-INOX		pz	2
18	B1000030005	ADESIVO-160-RACE-2pz		pz	1
19	B+FEN97-MB03000065	DADO-INT-CH17X2,5-ANOD-NER		pz	1
20	B+FEN97-MB03000045	DADO-EST-AW-7075-D24X4-ANOD-NER		pz	1
21	B+FEN97-MB03000055	PERNO-FIL-M14X1-ANOD-NER		pz	1
22	B+FER97-MB01000405	VITE-BATTERIA-TELAIO-40		pz	1



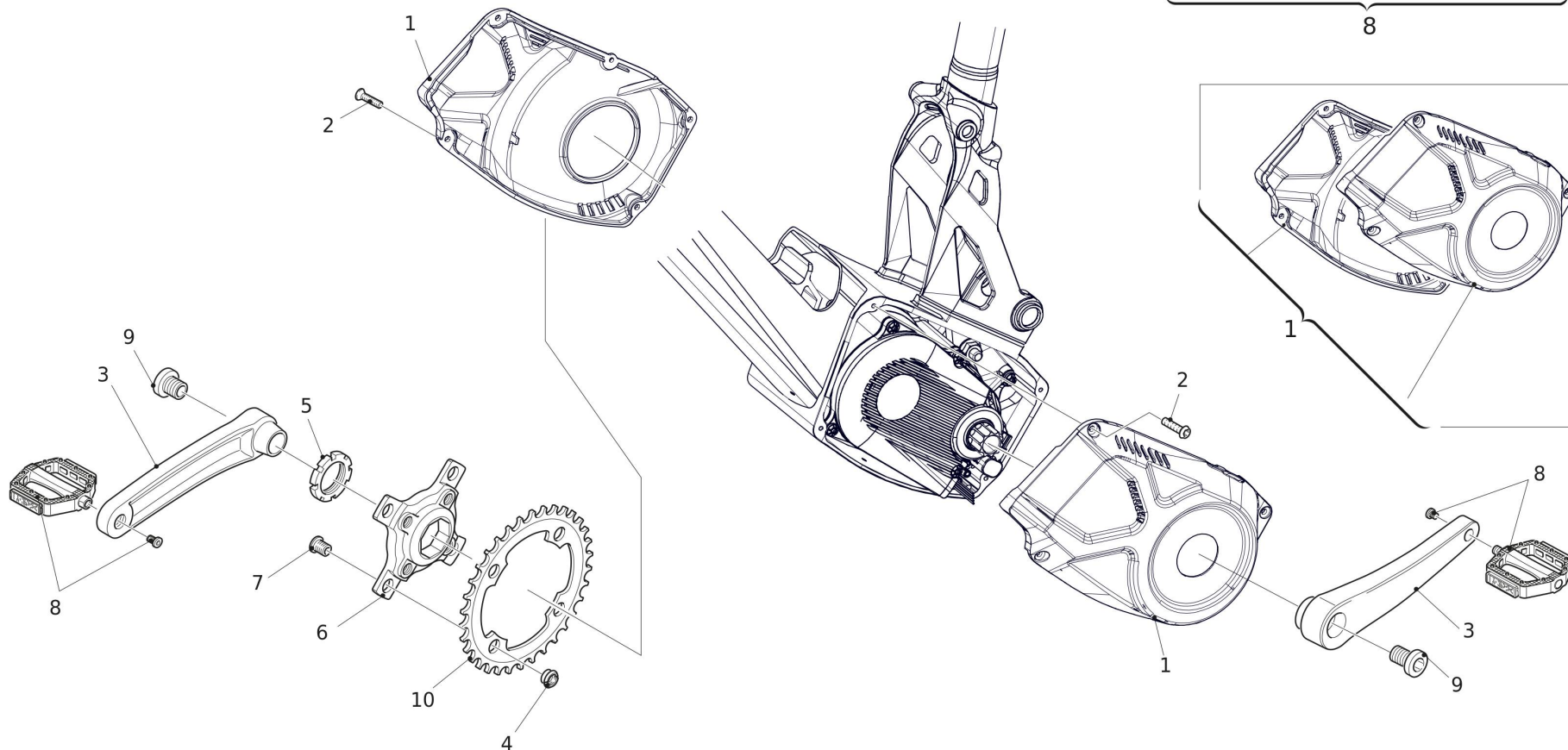
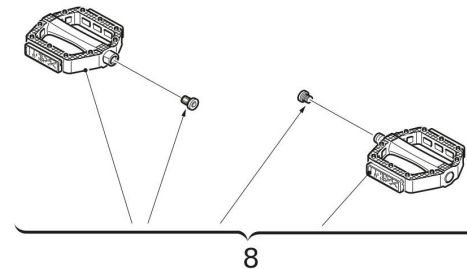
#	Code	Description	Specification	UM	Qty
1	B0100025005	ROCKER-ANODIZED-FRAME-MY20		pz	1
2	B0300021005	BATTICATENA-INTEGRA-MY20		pz	1
3	B-FP197-MB01000245	CUSCINETTO-26x10x8		pz	2
4	B+FER97-MB01A00155	VITE-BILANCIERE-TELAIO-15A		pz	2
5	B0100048005	DISTANZIALE-BILANCIERE-STAFFA-16X10X3,5		pz	2
6	B-FP197-MB01000175	STRUT SPACER - 17		pz	8
7	B-FP197-MB01000255	CUSCINETTO-19x10x5		pz	8
8	B-FP197-MB01000185	STRUT BEARINGS SPACER - 18a		pz	4
9	B-FP197-MB01030185	SEEGER JV19		pz	4
10	B1100037005	VITE-M4X16-TESTA-SVASATA-ISO10642-A2		pz	2
11	B+FER97-MB01A00165	VITE-PUNTONE-16A		pz	4
12	B+FER97-MB01B00165	DADO-PUNTONE-16B-ALU		pz	4
13	B0100027005	PUNTONE-VERNICIATO-NERO-TELAIO-MY20		pz	1
14	B0100031005	CHAINSTAYS-FRAME-MY20-RED	Red	pz	1
14	B0100091005	CARRO-VERNICIATO-TELAIO-MY20-GIALLO	Yellow	pz	1
15	B+FER97-MB01A00225	VITE-FORCELLONE-ALU-22A		pz	2
16	B+FEN97-MB01000345	CUSCINETTO-26x17x5		pz	4
17	B+FER97-MB01000235	CILINDRO-FORCELLONE-TELAIO-23-AL		pz	1
18	B-FP197-MB01020225	DISTANZIALE-FORCELLONE-TELAIO-304-22B		pz	2
19	B0100084005	CALIPER SPACER 180mm		pz	1
20	B1100012005	VITE-M6X21.5-DIN7984-ZINC.NERO+RONDELLA		pz	2
21	B+FP177-MB01000305	PERNO-PASSANTE-D.20X178-M12x1,25		pz	1
22	B+FP177-MB01000315	RONDELLA-20-12,5		pz	1
23	B-FP197-MB01020115	RED HANGER		pz	1
24	B-FP197-MB01020105	RED HANGER NUT		pz	1
25	B1100030005	VITE-M4X12-ISO7380-2-A2-FLANGIATA		pz	1
26	B0100054005	PROTEZIONE-MONO-INTEGRA-160-180		pz	1
27	B1100011005	VITE-M6X16-TESTA-SVASATA-ISO10642-INOX		pz	1
28	B1100004005	VITE-M4X14-TESTA-SVASATA-ISO10642-A2		pz	1
29	B1100046005	DADO-M4-ESAGONALE-A2-ISO4032-UNI5588		pz	1
30	B0300030005	GUIDA-CATENA-INTEGRA-MY20-CARBON		pz	1



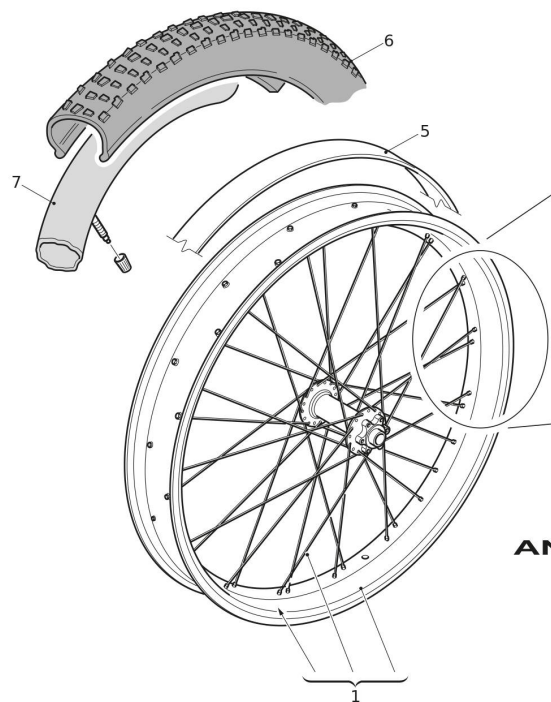
#	Code	Description	Specification	UM	Qty
1	B1300008005	AMMORTIZZATORE-SUPER-DEL-SEL+-205X60-TR		pz	1
2	B+FER97-MB01A00145	VITE-BILANCERE-AMMORTIZZATORE-M10x1-ALU		pz	2
3	B-FP197-MB01000275	IGUS-GFM-121418-08		pz	2
4	B-FP197-MB01000285	IGUS-GFM-121418-04		pz	2
5	B+FER97-MB01B00145	DISTANZIALE-AMMORTIZZATORE-BILANCIERE		pz	2
6	B1300007005			pz	1
7	B1300016005	PERNO-FORCELLA-MAXLE-ULTIMATE-15X110		pz	1
8	B1200018005	VITE-COLLETO-ISO7379-8-M6-40-NI-304		pz	1
9	B1200019005			pz	1
10	B1200020005	DADO-ISO7040-M6-A2-UNI7473		pz	1



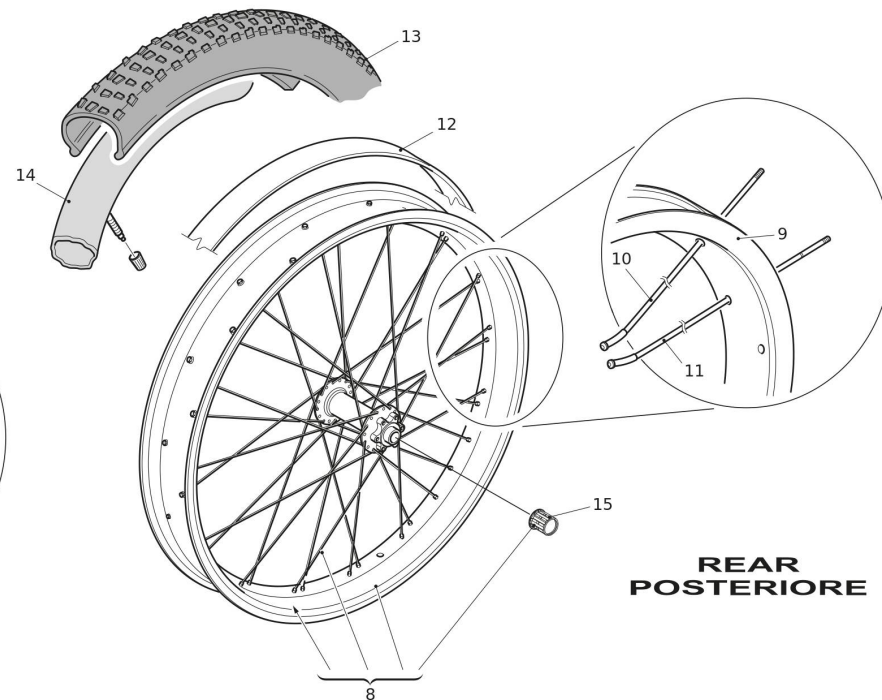
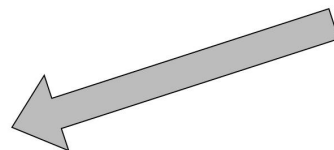
#	Code	Description	Specification	UM	Qty
1	B0200055005	MOTORE-BROSE-DRIVE-S-MAG-E06855-HOR-25KM		pz	1
1	B0200056005	MOTORE-BROSE-DRIVE-S-MAG-E06855-HOR-32KM		pz	1
2	B-FVU66-MB03000095	ENGINE FASTENING BUSHING		pz	3
3	B1100034005	VITE-M8x45-8.8-ISO4762-DIN912		pz	1
4	B1100035005	RONDELLA-DIN433-ISO7092-WASHER-8,4		pz	1
5	B+FEN97-MB02000035	CHARGER INTEGRA 4A		pz	1
6	B0200011005	CABLE MOTOR-BATTERY BROSE S MAG 280MM		pz	1
7	B0200040005	SENSORE-BROSE-SMAG-640MM		pz	1
8	B0800028020	ASSIEME-MAGNETE-DISCO-XF1-GALFER-BRAKING		pz	1
9	B0100073005	DISTANZIALE-12MM-ANODIZZATO-NERO		pz	1
10	B1100032005	VITE-DIN7380-M5x8-A2		pz	1
11	B+FEN97-MB02000025	INTEGRATED BATTERY 630WH		pz	1
12	B0200012005	BROSE DASHBOARD COMFORT MARQUARDT S4	S4	pz	1
13	B+FC177-MB02000085	CAVO-MOTORE-CRUSCOTTO-S1-S3-S4	S1 - S3 - S4	pz	1
14	B+FEN97-MB01000125	COPRICONETTORE-BATTERIA-INTEGRA		pz	1
15	B+F4097-MB01000015	VITE-AUTOFILETTANTE-TC-CROCE-2,9x16-INOX		pz	3
16	B+FC177-MB02000045	TAPPO-CONNETTORE-LUCI		pz	3
17	B1100036005	DADO-M8-DIN6923-ISO4161		pz	3
18	B-FVU66-MB02000215	CAVO-ALIMENTAZIONE-CARICABATTERIA		pz	1



#	Code	Description	Specification	UM	Qty
1	B0300007020	KIT-CARTER-DESTRO-SINISTRO-MAG-S		pz	1
2	B1100018005	VITE-M4X10-ISO7380-A2		pz	1
3	B+F4097-MB03000015	PEDIVELLE-FSA-CK-762-(761)-WIDER		pz	1
4	B-FVU66-MB03000175	CHAINRING NUT		pz	1
5	B-FVU66-MB02000025	GHIERA-FISSAGGIO-RAGNO		pz	1
6	B0300004005	RAGNO-FSA-104/64-W0108		pz	1
7	B-FVU66-MB03000035	CHAINRING SCREW		pz	1
8	B-FSP66-MB09000045	PEDALS		pz	1
9	B+F4097-MB03000020	Bolt ISIS CrMo M15x1.0x14x8 BK (2pcs),ML		pz	1
10	B0300002005			pz	1

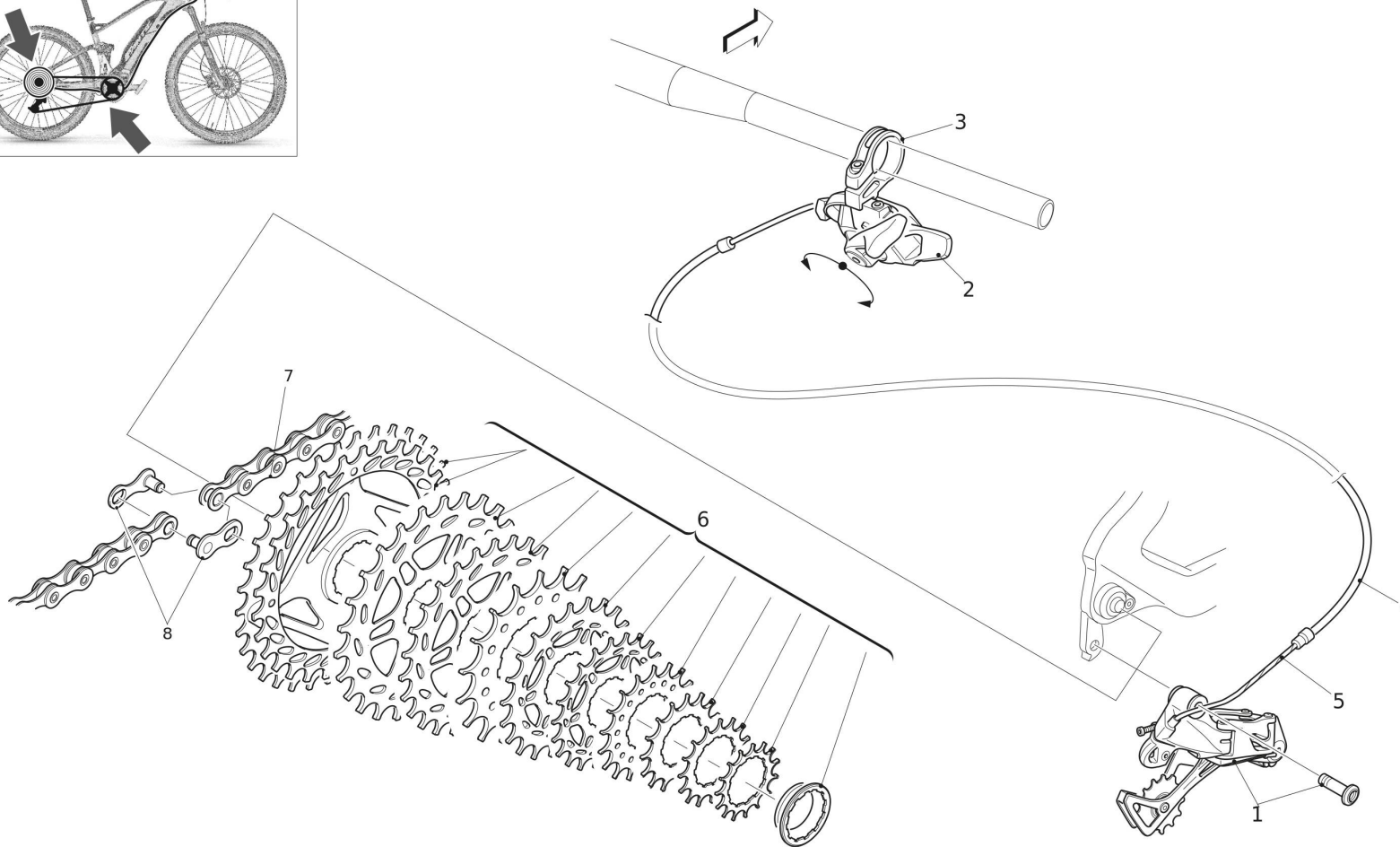
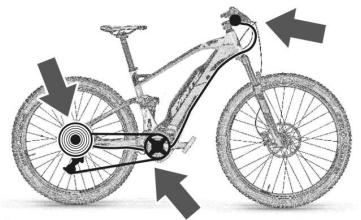


**FRONT
ANTERIORE**

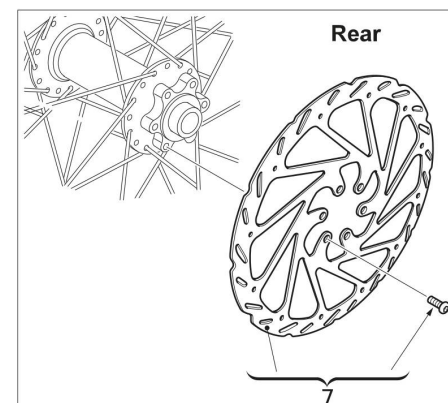
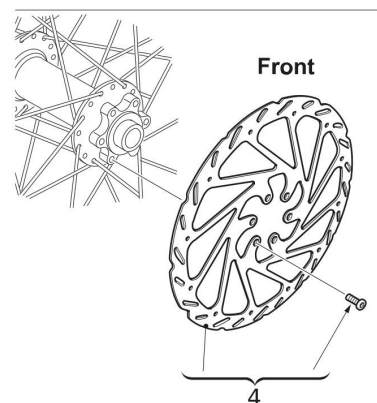
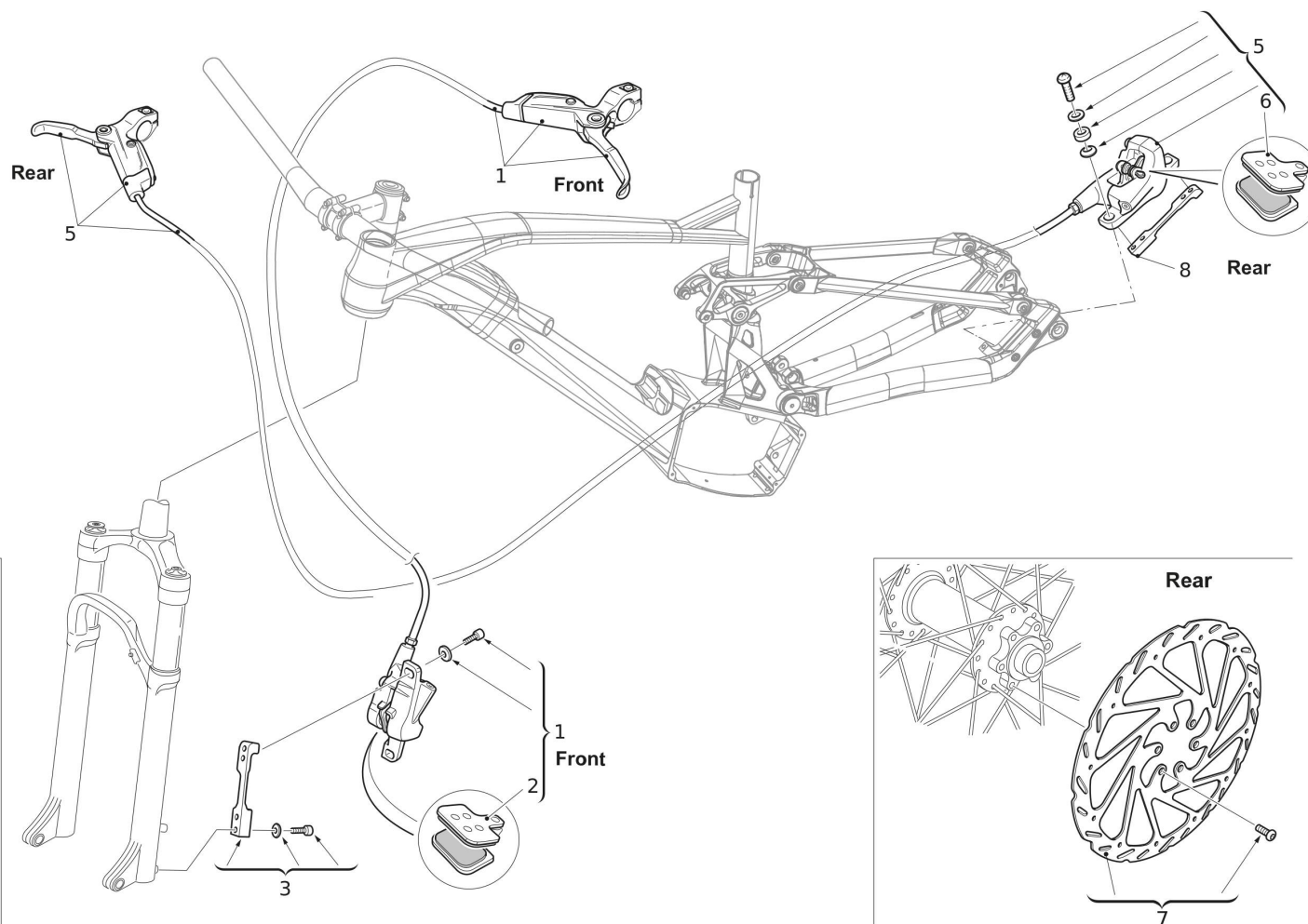
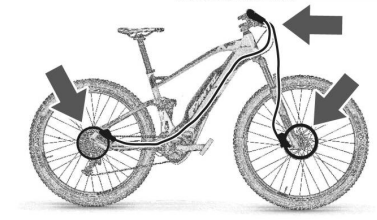


**REAR
POSTERIORE**

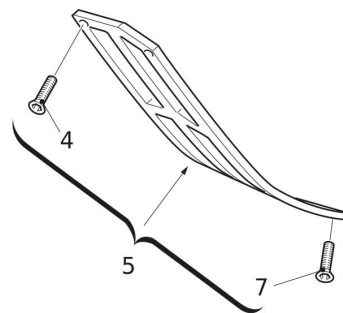
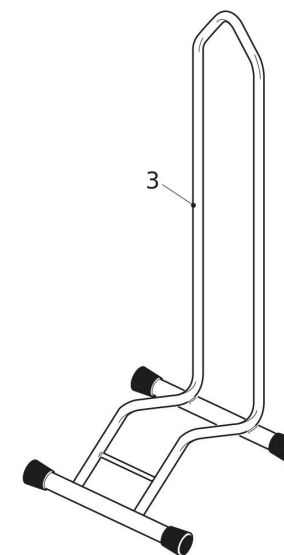
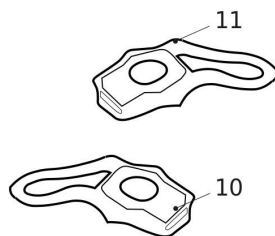
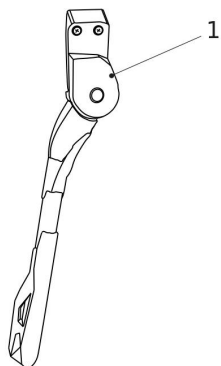
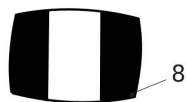
#	Code	Description	Specification	UM	Qty
1	B+FEN97-MB04000075	RUOTA-MAVIC-ANT-29-EXA-DRIFTER-BOOST		pz	1
2	B0500046005	CERCHIO-MAVIC-POST-27,5-EXA		pz	1
3	B+F8097-MB04000010	RAGGIO-INOX-18/8-NERO-OSSIDATO-290MM		pz	32
4	B+MX297-MB04000010	NIPPLES-OTTONE-14MM-NATURALE		pz	32
5	B0400047005	FLAP-ANT-29-MAVIC-EXA		pz	2
6	B+FIR97-MB04000025	COPERTURA-MAXXIS-29X2,5-MINION-DHF		pz	1
7	B+F4097-MB04000035	CAMERA-ARIA-MAXXIS-29X2.50/3.00		pz	1
8	B+FEN97-MB05000075	RUOTA-MAVIC-POST-27,5-EXA-DRIFTER+MAGNET		pz	1
9	B0500046005	CERCHIO-MAVIC-POST-27,5-EXA		pz	1
10	B+F8097-MB05000010	RAGGIO-INOX-18/8-NERO-OSSIDATO-272MM		pz	32
11	B+MX297-MB04000010	NIPPLES-OTTONE-14MM-NATURALE		pz	32
12	B0500048005	FLAP-POST-27,5-MAVIC-EXA		pz	1
13	B+FIR97-MB05000025	COPERTURA-MAXXIS-27,5X2,6-MINION-DHR II		pz	1
14	B+F4097-MB05000035	CAMERA-ARIA-MAXXIS-27X2.50/3.00		pz	1
15	B0500049005	RUOTA-LIBERA-MOZZO-MAVIC-EXA		pz	1



#	Code	Description	Specification	UM	Qty
1	B0600005005	CAMBIO-GX-EAGLE-12V		pz	1
2	B0600006005	COMANDO-CAMBIO-GX-EAGLE12V-SINGLE-CLICK		pz	1
3	B-MR197-MB06000065	COLLARINO-COMANDO-CAMBIO-11V-12V		pz	1
4	B+FEN97-MB09000015	GUAINA-CAMBIO-MT		cm	1
5	B-FVU66-MB06000085	CAVO-CAMBIO		pz	1
6	B0600017005	CASSETTA-SUNRACE-12V-MZ90W-11-50T		pz	1
7	B0600008005	CATENA-SRAM-NX-EAGLE-122-MAGLIE		pz	1
8	B0600033005	GIUNTO-CATENA-12V-SRAM		pz	1



#	Code	Description	Specification	UM	Qty
1	B+FER97-MB08000015	FRENO-ANT-CODE-R-20P-900		pz	1
2	B+FEN97-MB08000045	BRAKE PAD GUIDE RE	SRAM - Part Number:	pz	1
3	B+F4097-MB08000015	DISTANZIALE-POST-MOUNT-20P	00.5315....	pz	1
4	B0800008005	DISCO-FRENO-GALFER-203MM-PIN-ROSSI-1.8mm		pz	1
5	B+FER97-MB08000025	FRENO-POST-CODE-R-1600-20P		pz	1
6	B+FEN97-MB08000045	BRAKE PAD GUIDE RE	SRAM - Part Number:	pz	1
7	B0800008005	DISCO-FRENO-GALFER-203MM-PIN-ROSSI-1.8mm	00.5315....	pz	1
8	B+FEC97-MB08000015	DISTANZIALE-FRENO-POSTERIORE-203MM		pz	1
9	B+FC877-MB08000035	COLLARINO-FRENO-GUIDE-RE		pz	2



#	Code	Description	Specification	UM	Qty
1	B0900026005	KIT-ADATT-CAVALLETTO-BICI-FULL		pz	1
2	B0900032005	LIBRETTO-AVVERTENZE-E-BIKE		pz	1
2	B0900036005	LIBRETTO-USO-MANUTENZIONE-XF1-MY20	EU	pz	1
2	B0900037005	LIBRETTO-USO-MANUTENZIONE-XF1-MY20-USA	USA	pz	1
3	B-FSP66-MB09000015	REGGICICLO-SMONTABILE-FAT-BIKE		pz	1
4	B1100038005	VITE-M4X10-TESTA-SVASATA-ISO10642-A2		pz	3
5	B0300032020	KIT-PARACOPPA-FLANGIA-MY20		pz	1
7	B1100004005	VITE-M4X14-TESTA-SVASATA-ISO10642-A2		pz	2
8	B0900004005	CATADIOTTRO-ANTERIORE-BIANCO		pz	1
9	B0900005005	CATADIOTTRO-POSTERIORE-ROSSO		pz	1
10	B0900007005	FANALE-ANTERIORE-GOMMA-PILA		pz	1
11	B0900008005	FANALE-POSTERIORE-GOMMA-PILA		pz	1
12	B0900006005	CATADIOTTRO-RUOTA-GIALLO		pz	4