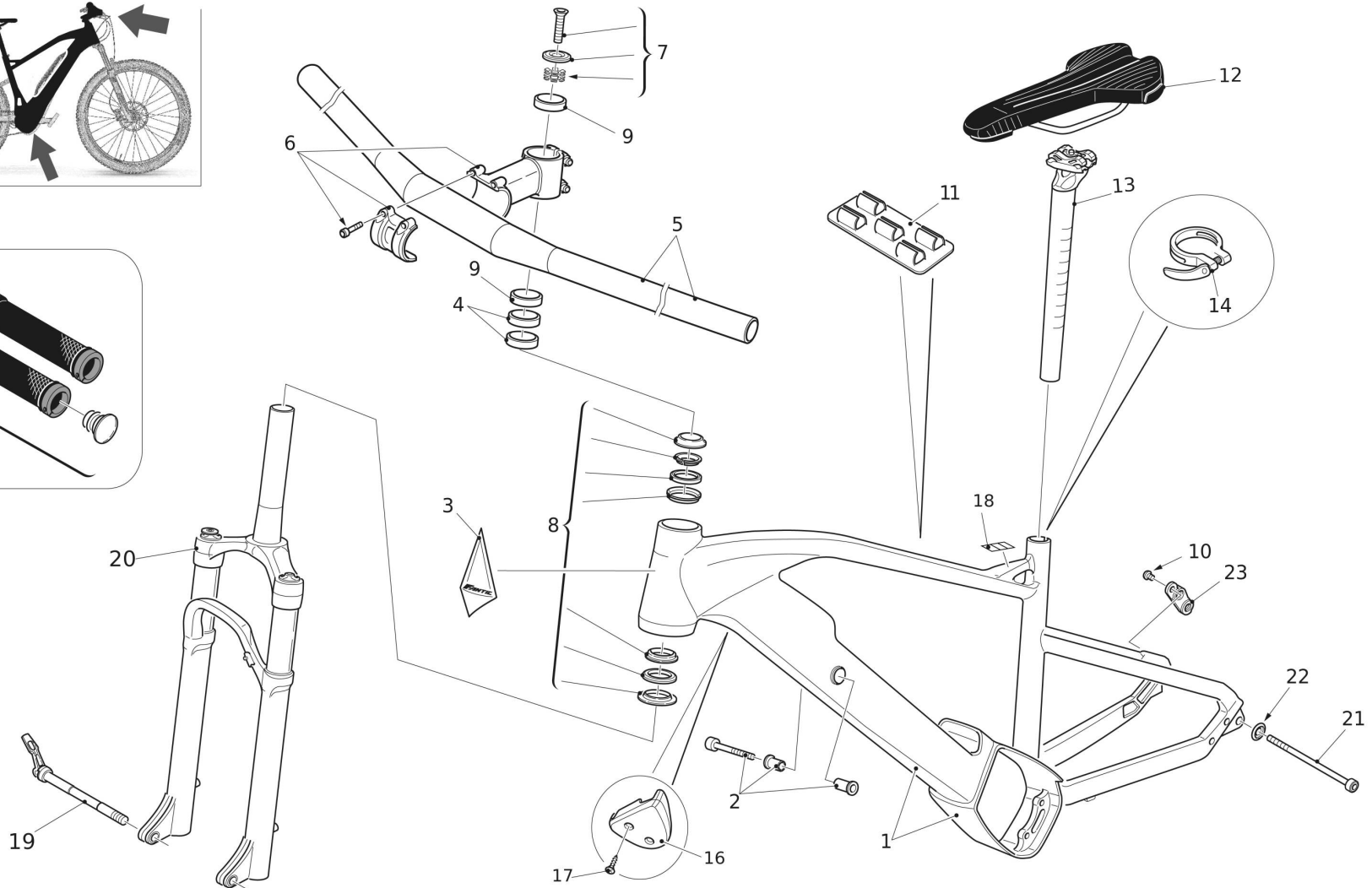
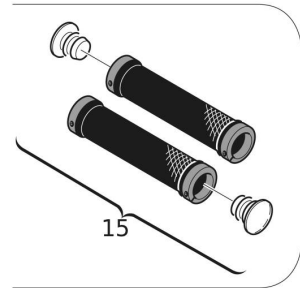
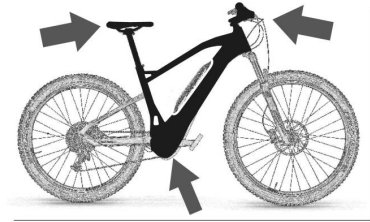




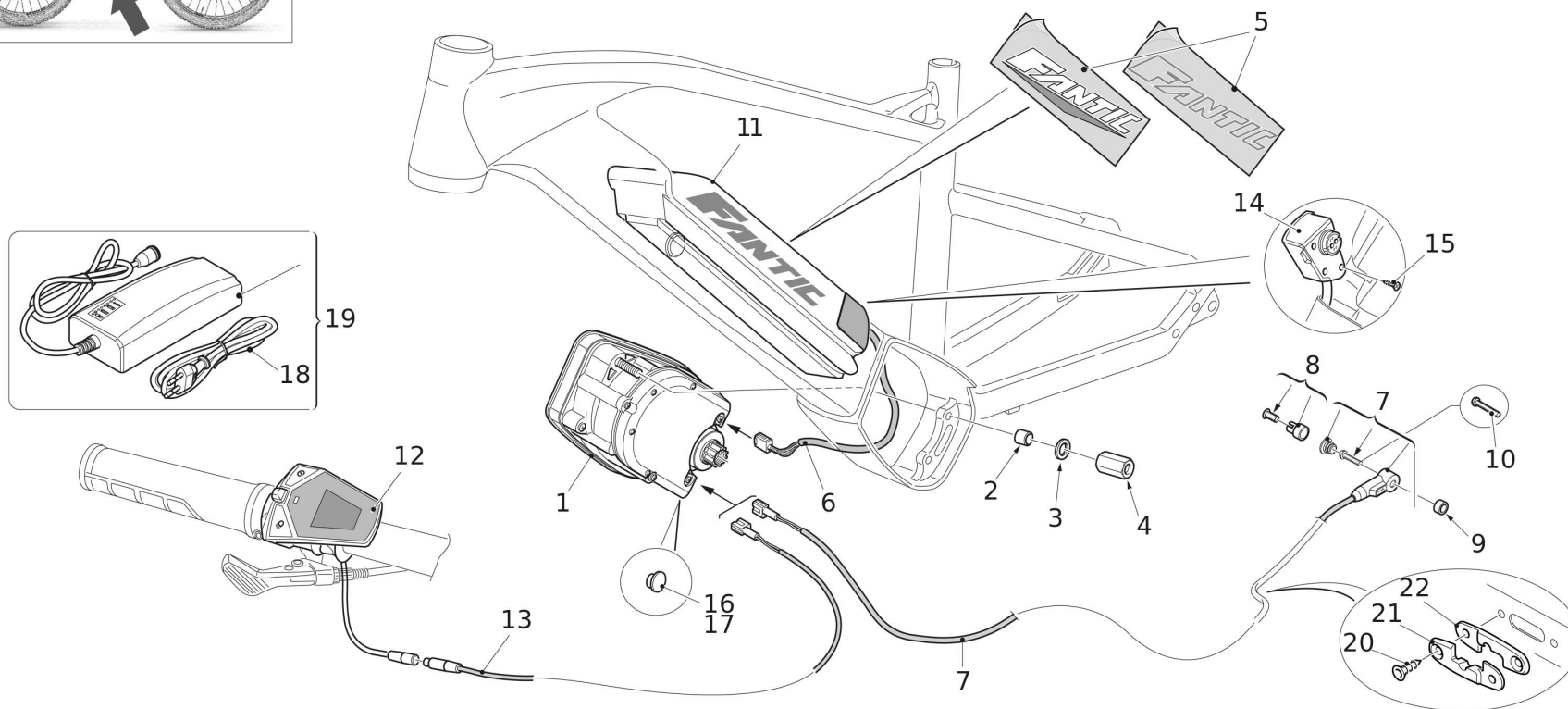
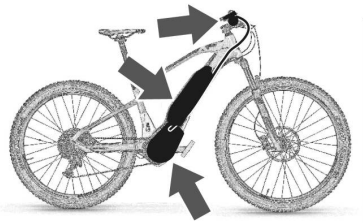
Spare parts catalogue
FAT INTEGRA MY20

Index

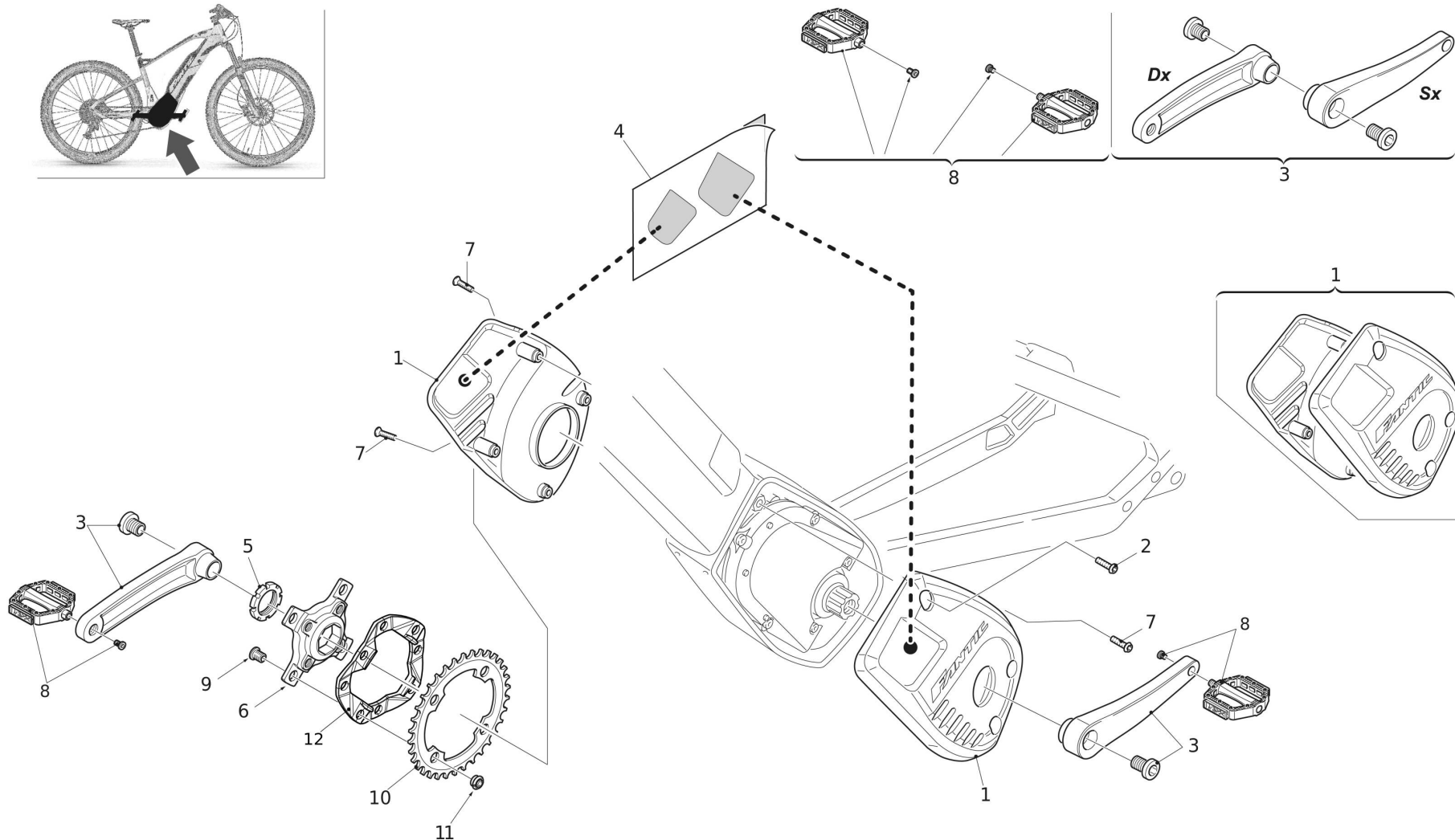
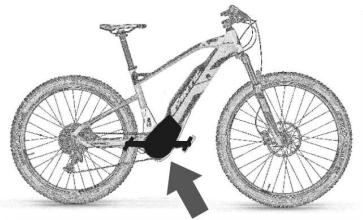
| | |
|--|----|
| frame / handlebar / seat (FAT INTEGRA MY20) | 3 |
| motor / battery / dash board (FAT INTEGRA MY20) | 5 |
| bottom bracket group (FAT INTEGRA MY20) | 7 |
| wheels (FAT INTEGRA MY20) | 9 |
| gear swift (FAT INTEGRA MY20) | 11 |
| brakes (FAT INTEGRA MY20) | 13 |
| optional accessories (FAT INTEGRA MY20) | 15 |



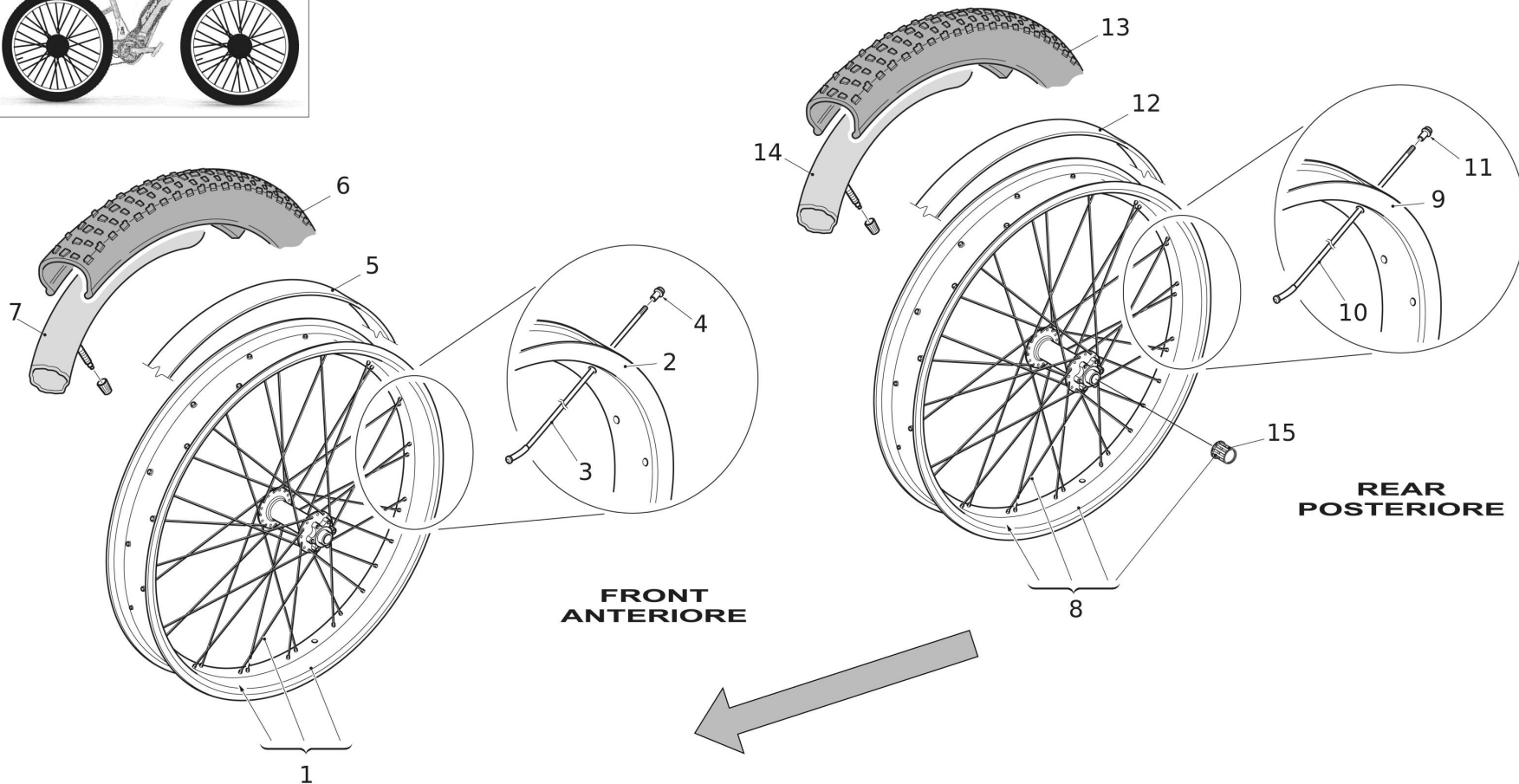
| # | Code | Description | Specification | UM | Qty |
|----|--------------------|--|---------------|----|-----|
| 1 | B-FSI66-LB01000015 | FAT SPORT INTEGRA FRAME L | | pz | 1 |
| 1 | B-FSI66-MB01000015 | FAT SPORT INTEGRA FRAME M | | pz | 1 |
| 1 | B-FSI66-SB01000015 | FAT SPORT INTEGRA FRAME S | | pz | 1 |
| 2 | B+FEN97-MB01000405 | VITE-BATTERIA-TELAIO-40-INOX | | pz | 1 |
| 3 | B+F8097-MB10000005 | ADESIVO-FRONTALE-ALLUMINIO-INTEGRA | | pz | 1 |
| 4 | B-FVU66-MB0700035 | HEADSET SPACER 1' 1/8 | | pz | 2 |
| 5 | B+F4097-MB07000030 | Comet Low Riser MTB HB SB black F31.8x15 | | pz | 1 |
| 6 | B+F4097-MB07000020 | V-Drive ST SB black F31.8x60mm/6 | | pz | 1 |
| 7 | B-FVU66-MB01000095 | STEERER SPIDER | | pz | 1 |
| 8 | B-GGT88-MB01000035 | HEADSET 1-1/8 1-1/5 | | pz | 1 |
| 9 | B+F8097-MB07000005 | DISTANZIALE-MANUBRIO-1/8-5MM-ROSSO | | pz | 2 |
| 10 | B-FVU66-MB01000135 | RD Hanger bolt | | pz | 1 |
| 11 | B+FEN97-MB01000145 | BLOCCACAVI-INTEGRA-INTERNO-DT | | pz | 4 |
| 12 | B0700008005 | SELLA-ITALIA-X-LAND | | pz | 1 |
| 13 | B+FIR97-MB07000021 | Afterburner SB0 SP SB black F30.9x400mm | Fixed | pz | 1 |
| 14 | B0300010005 | COLLARINO-LEVA-207QE-ANODIZZATO-ROSSO | | pz | 1 |
| 15 | B+FEN97-MB07000025 | FANTIC GRIP | | pz | 1 |
| 16 | B+FEN97-MB01000135 | PASSACAVI-INTEGRA-ESTERNO-DT | | pz | 1 |
| 17 | B+FEN97-MB01000185 | VITE-AUTOFILET-TSP-3,5x25-IM.CROCE-INOX | | pz | 2 |
| 18 | B1000028005 | ADESIVO-TRICOLORE | | pz | 1 |
| 19 | B1300014005 | PERNO-FORCELLA-BLUTO-15X150-MAXLE-LITE | | pz | 1 |
| 20 | B+FSI66-MB01000025 | FORCELLA-BLUTO-RL-120-MY19 | | pz | 1 |
| 21 | B-FSI66-MB01000105 | PERNO-PASSANTE-D.20X231MM-M12-AN.NERO | | pz | 1 |
| 22 | B+FP177-MB01000315 | RONDELLA-20-12,5 | | pz | 1 |
| 23 | B-FVU66-MB01000125 | RD Hanger | | pz | 1 |



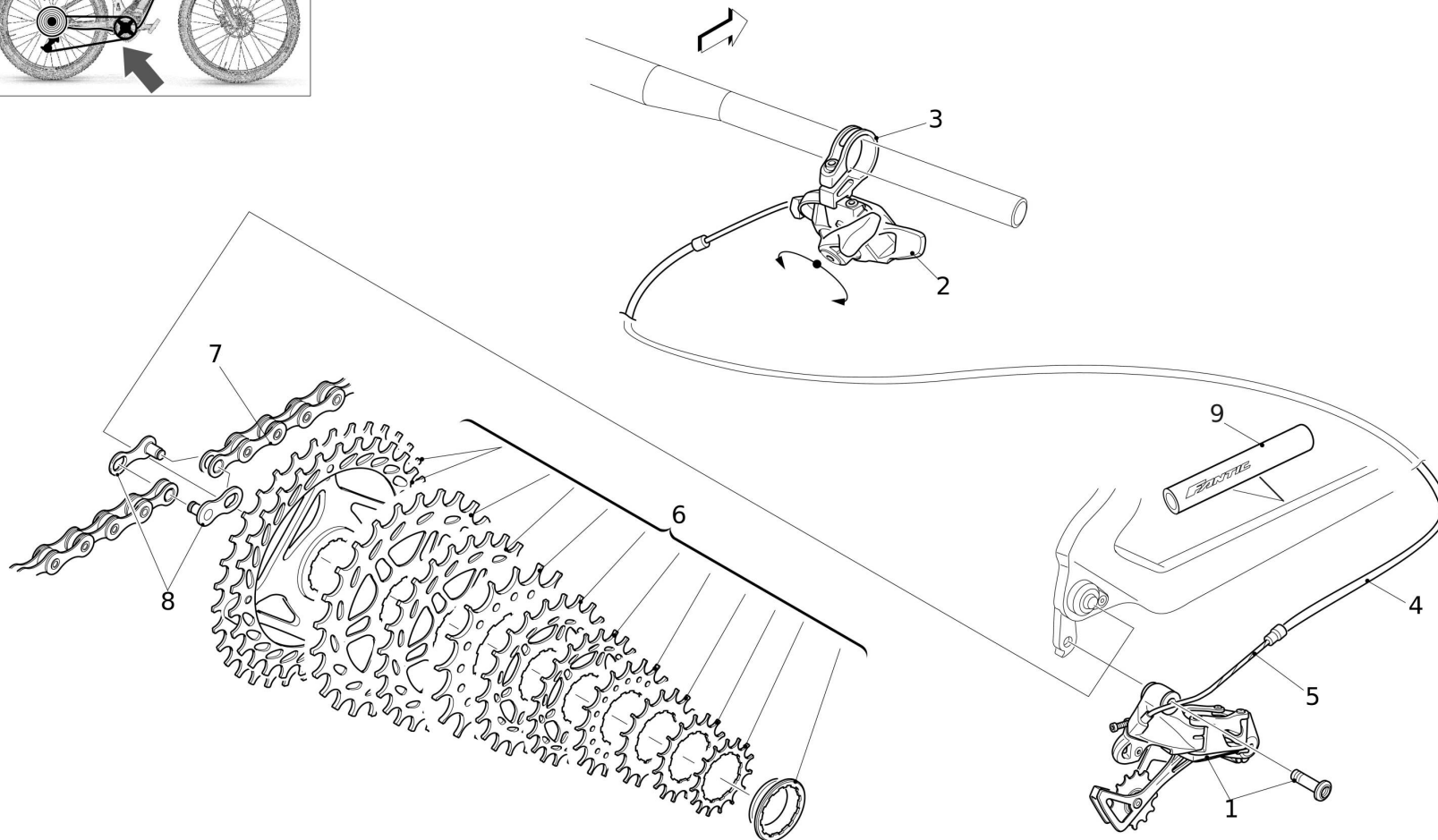
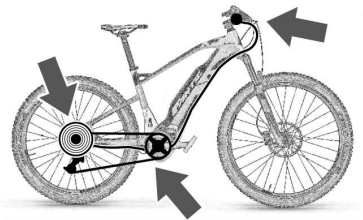
| # | Code | Description | Specification | UM | Qty |
|----|--------------------|--|---------------|----|-----|
| 1 | B+FEN97-MB02000085 | BROSE-MOTOR-250W-36V-S2-S4-25KMH | 25km/h - EU | pz | 1 |
| 1 | B0200054005 | BROSE MOTOR | 32km/h - USA | pz | 1 |
| 2 | B-FVU66-MB03000095 | ENGINE FASTENING BUSHING | | pz | 3 |
| 3 | B-FSP66-MB03000025 | ZIGRATED WASHER SCHNORR 1,2mm | | pz | 3 |
| 4 | B-FVU66-MB03000085 | SPACER 12X23MM | | pz | 3 |
| 5 | B+FEN97-MB01000095 | BATTERY.STICKER KIT-WHITE-INTEGRA | | pz | 1 |
| 6 | B+FC177-MB02000065 | CABLE MOTOR BATTERY INTEGRA | | pz | 1 |
| 7 | B-FVU66-MB02000095 | SENSORE-VELOCITA'-BROSE | | pz | 1 |
| 8 | B-FVU66-MB02000105 | MAGNETE-SENSORE-VELOCIT | | pz | 1 |
| 9 | B0100074005 | DISTANZIALE-18MM-ANODIZZATO-NERO | | pz | 1 |
| 10 | B1100028005 | VITE-M5x30-TESTA-BOMBATA | | pz | 1 |
| 11 | B+FEN97-MB02000025 | INTEGRATED BATTERY 630WH | | pz | 1 |
| 12 | B0200012005 | BROSE DASHBOARD COMFORT MARQUARDT S4 | S4 | pz | 1 |
| 13 | B+FC177-MB02000085 | CAVO-MOTORE-CRUSCOTTO-S1-S3-S4 | S1 - S3 - S4 | pz | 1 |
| 14 | B+FEN97-MB01000125 | COPRICONETTORE-BATTERIA-INTEGRA | | pz | 1 |
| 15 | B+F4097-MB01000015 | VITE-AUTOFILETTANTE-TC-CROCE-2,9x16-INOX | | pz | 3 |
| 16 | B+FC177-MB02000045 | TAPPO-CONNETTORE-LUCI | | pz | 2 |
| 17 | B+FC177-MB02000055 | TAPPO-CONNETTORE-E-BIKE | | pz | 1 |
| 18 | B-FVU66-MB02000215 | CAVO-ALIMENTAZIONE-CARICABATTERIA | | pz | 1 |
| 19 | B+FEN97-MB02000035 | CHARGER INTEGRA 4A | | pz | 1 |
| 20 | B-FVU66-MB01000195 | VITE-AUTOFILETTANTE-M2,9X9,5-TPSC-INOX | | pz | 2 |
| 21 | B-FVU66-MB01000065 | PASSACAVO-ALIMENTAZIONE-CRUSCOTTO-1/2 | | pz | 1 |
| 22 | B-FVU66-MB01000235 | PASSACAVO-ALIMENTAZIONE-CRUSCOTTO-2/2 | | pz | 1 |



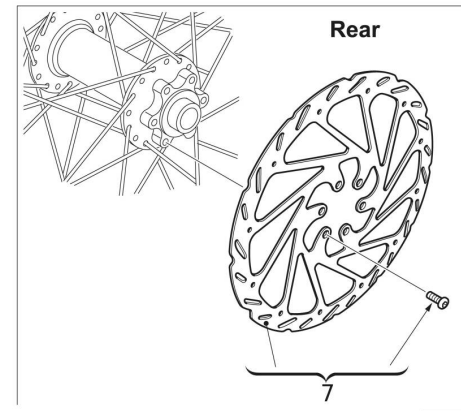
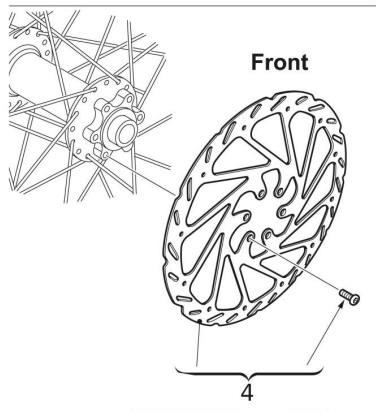
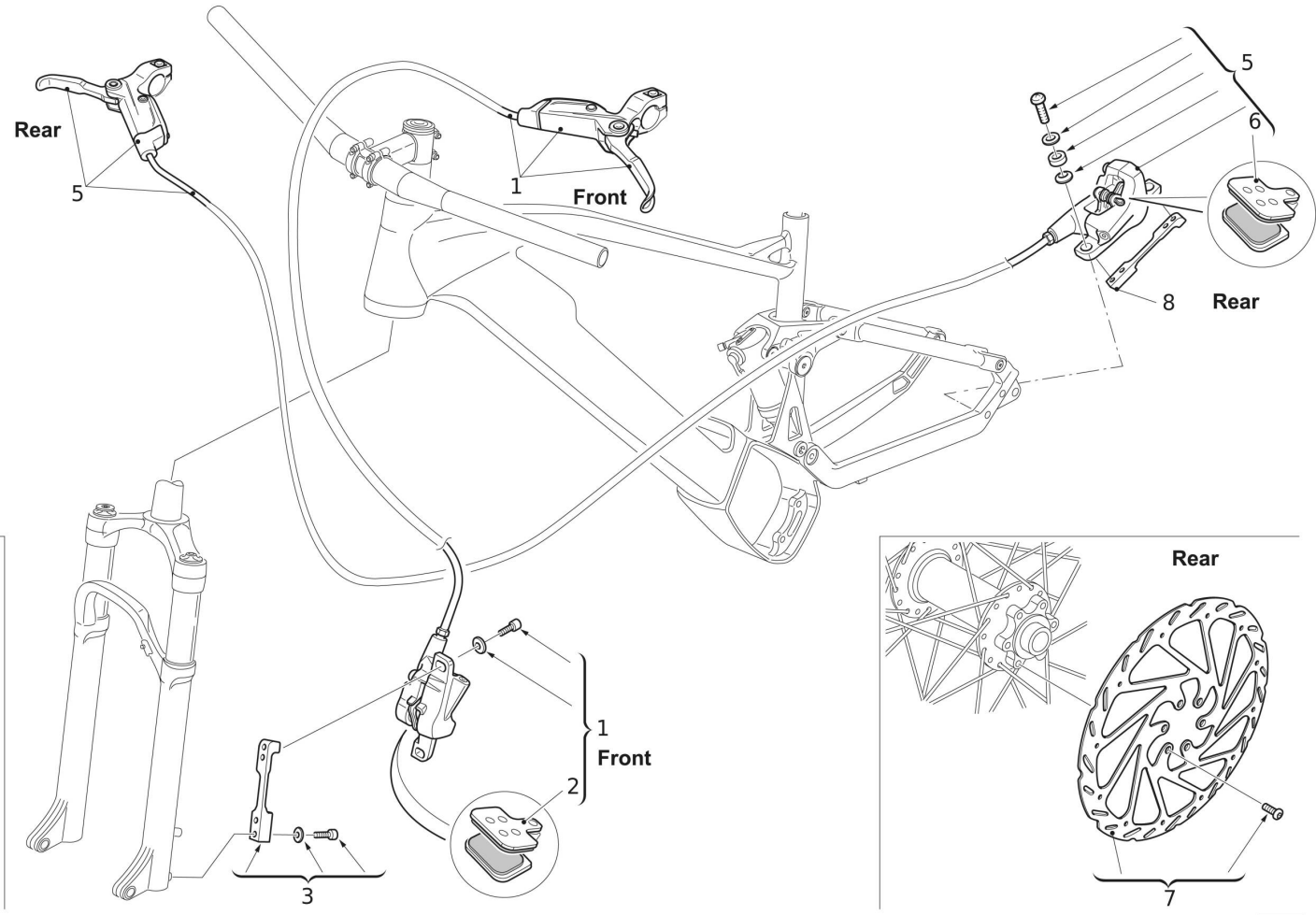
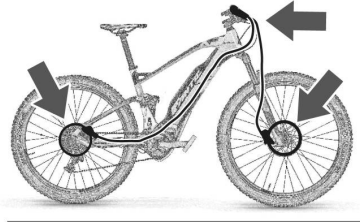
| # | Code | Description | Specification | UM | Qty |
|----|--------------------|--|---------------|----|-----|
| 1 | B+FEN97-MB01000065 | CARTER-DESTRO-SINISTRO-FANTIC-INTEGRA | | pz | 1 |
| 2 | B-FVU66-MB03000155 | COLLAR SCREW 5X12 STAINLESS STEEL | | pz | 3 |
| 3 | B-FSI66-MB03000015 | KIT-PEDIVELLE-FAT-MY19 | | pz | 1 |
| 4 | B+FIR97-MB01000025 | KIT-ADESIVO-CARTER-INTEGRA-GIALLO-FLUO | YELLOW | pz | 1 |
| 5 | B-FVU66-MB02000025 | GHIERA-FISSAGGIO-RAGNO | | pz | 1 |
| 6 | B+MR177-MB03000015 | SPIDER BOOST | | pz | 1 |
| 7 | B-FVU66-MB03000075 | SCREW 4X8 STAINLESS STEEL | | pz | 5 |
| 8 | B-FSP66-MB09000045 | PEDALS | | pz | 1 |
| 9 | B-FVU66-MB03000035 | CHAINRING SCREW | | pz | 8 |
| 10 | B0300002005 | | | pz | 1 |
| 11 | B-FVU66-MB03000175 | CHAINRING NUT | | pz | 8 |
| 12 | B+FSI66-MB03000015 | DISTANZIALE-RAGNO-CORONA-FAT | | pz | 1 |



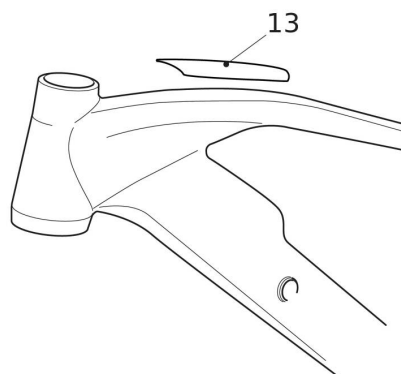
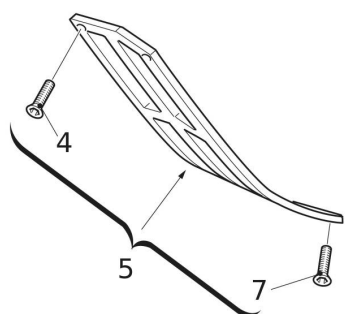
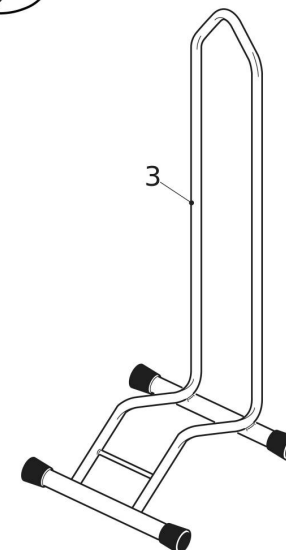
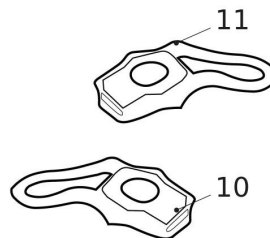
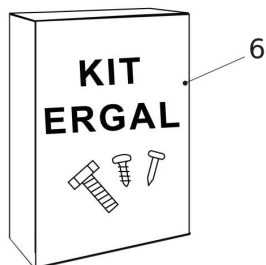
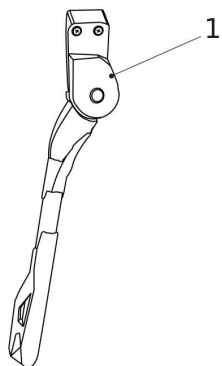
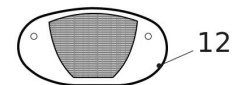
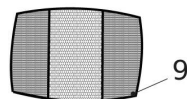
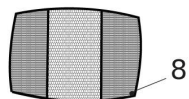
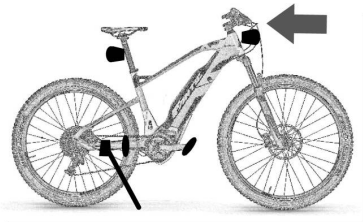
| # | Code | Description | Specification | UM | Qty |
|----|--------------------|--------------------------------------|---------------|----|-----|
| 1 | B-FSP66-MB04000085 | FRONT WHEEL FAT 150MM | | pz | 1 |
| 2 | B0400029005 | CERCHIO-RUOTA-FAT-GPM | | pz | 1 |
| 3 | B0400030005 | RAGGIO-GPM-26' | | pz | 32 |
| 4 | B0400031005 | NIPPLES-RAGGIO-GPM | | pz | 32 |
| 5 | B-FVU66-MB04000145 | FLAP FAT GREY | | pz | 1 |
| 6 | B-FSI66-MB04000025 | COPERTURA-SCHWALBE-JUMBO-JIM-26x4.00 | | pz | 1 |
| 7 | B-FVU66-MB04000075 | TUBE FAT | | pz | 1 |
| 8 | B-FSP66-MB05000085 | REAR WHEEL FAT 197mm | | pz | 1 |
| 9 | B0400029005 | CERCHIO-RUOTA-FAT-GPM | | pz | 1 |
| 10 | B0400030005 | RAGGIO-GPM-26' | | pz | 32 |
| 11 | B0400031005 | NIPPLES-RAGGIO-GPM | | pz | 32 |
| 12 | B-FVU66-MB04000145 | FLAP FAT GREY | | pz | 1 |
| 13 | B-FSI66-MB04000025 | COPERTURA-SCHWALBE-JUMBO-JIM-26x4.00 | | pz | 1 |
| 14 | B-FVU66-MB04000075 | TUBE FAT | | pz | 1 |
| 15 | B0500045005 | RUOTA-LIBERA-11V-GPM | | pz | 1 |



| # | Code | Description | Specification | UM | Qty |
|---|--------------------|--|---------------|----|-----|
| 1 | B0600001005 | CAMBIO-SX-EAGLE-12V | | pz | 1 |
| 2 | B0600002005 | COMANDO-CAMBIO-SX-EAGLE-12V-SINGLE-CLICK | | pz | 1 |
| 3 | B-MR197-MB06000065 | COLLARINO-COMANDO-CAMBIO-11V-12V | | pz | 1 |
| 4 | B+FEN97-MB09000015 | GUAINA-CAMBIO-MT | | cm | 1 |
| 5 | B+FEN97-MB06000025 | FILO-CAMBIO-INOX-L2250 | | pz | 1 |
| 6 | B0600003005 | CASSETTA-SX-EAGLE-12V-11-50 | | pz | 1 |
| 7 | B0600004005 | CATENA-SRAM-SX-EAGLE-12V-122MAGLIE | | pz | 1 |
| 8 | B0600033005 | GIUNTO-CATENA-12V-SRAM | | pz | 1 |
| 9 | B+F4097-MB09000025 | BATTICATENA-NEOPRENE-195-FANTIC-MY19 | | pz | 1 |



| # | Code | Description | Specification | UM | Qty |
|---|--------------------|-----------------------------|---------------------------|----|-----|
| 1 | B-FP197-MB08000015 | FRENO-ANT-LEVEL-40P-950MM | | pz | 1 |
| 2 | B+FEN97-MB08000045 | BRAKE PAD GUIDE RE | SRAM - Part Number: 00... | pz | 1 |
| 3 | B-FVC66-MB08000015 | DISTANZIALE-40P-PM-200MM | | pz | 1 |
| 4 | B-FVU66-MB08000045 | BRAKE DISC 200 MM | | pz | 1 |
| 5 | B-FP197-MB08000025 | FRENO-POST-LEVEL-20P-1800MM | | pz | 1 |
| 6 | B+FEN97-MB08000045 | BRAKE PAD GUIDE RE | SRAM - Part Number: 00... | pz | 1 |
| 7 | B-FVU66-MB08000085 | BRAKE DISC 180MM | | pz | 1 |
| 8 | B+F4097-MB08000015 | DISTANZIALE-POST-MOUNT-20P | | pz | 1 |



| # | Code | Description | Specification | UM | Qty |
|----|--------------------|--|---------------|----|-----|
| 1 | B-FVU66-MB09000035 | CAVALLETTO-LATERALE-WAVE-REAR-FORI-18mm | | pz | 1 |
| 2 | B+LIVS9-MB09000005 | LIBRETTO-USO-MANUTENZIONE-LIVING-XF2-FAT | | pz | 1 |
| 2 | B0900032005 | LIBRETTO-AVVERTENZE-E-BIKE | | pz | 1 |
| 2 | B0900038005 | LIBRETTO-USO-MANUTENZIONE-XF2-FAT-LIV-US | | pz | 1 |
| 3 | B-FSP66-MB09000015 | REGGICICLO-SMONTABILE-FAT-BIKE | | pz | 1 |
| 4 | B1100003005 | VITE-M4X10-TESTA-SVASATA-ISO10642-A2 | | pz | 3 |
| 5 | B1200001020 | MOTOR PROTECTION KIT | | pz | 1 |
| 5 | B1200002020 | CARBON MOTOR PROTECTION KIT | CARBON | pz | 1 |
| 6 | B-FVU66-MB09000135 | VITE-M6X25-TCEI-INOX | | pz | 2 |
| 7 | B1100003005 | VITE-M4X10-TESTA-SVASATA-ISO10642-A2 | | pz | 2 |
| 7 | B1100004005 | VITE-M4X14-TESTA-SVASATA-ISO10642-A2 | | pz | 2 |
| 8 | B0900004005 | CATADIOTTRO-ANTERIORE-BIANCO | | pz | 1 |
| 9 | B0900005005 | CATADIOTTRO-POSTERIORE-ROSSO | | pz | 1 |
| 10 | B0900007005 | FANALE-ANTERIORE-GOMMA-PILA | | pz | 1 |
| 11 | B0900008005 | FANALE-POSTERIORE-GOMMA-PILA | | pz | 1 |
| 12 | B0900006005 | CATADIOTTRO-RUOTA-GIALLO | | pz | 4 |
| 13 | B1000018005 | ADESIVO-TOP-TUBE-MY20-CRYSTAL-GOFFRATTO | | pz | 1 |